

Panasonic

Panasonic

JW1AFSN-DC36V-F

Numero ng Bahagi:
Tagagawa / Brand:

Paglalarawan ng produkto

Mga Datasheet:

Katayuan ng RoHS

Stock Kondisyon

Ipadala Mula

Pagpapadala ng Way

JW1AFSN-DC36V-F

Panasonic

JW RELAY 1 FORM A 36V 10A

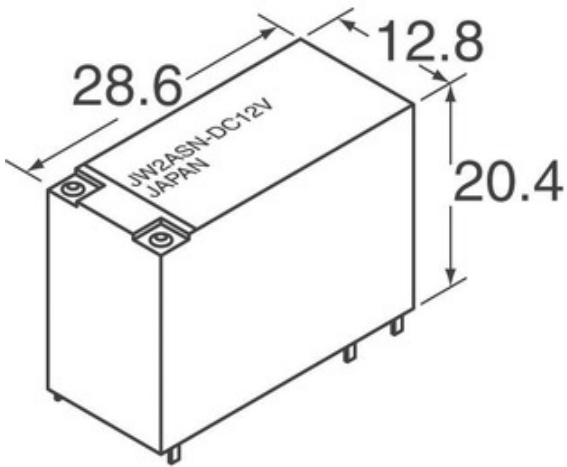
JW1AFSN-DC36V-F.pdf

Lead free / RoHS Compliant

38069 pcs stock

Hong Kong

DHL/Fedex/TNT/UPS/EMS



HUMILING NG PANIPI

Ang imaha ay maaaring representasyon. Tingnan ang mga pagtutukoy para sa mga detalye ng produkto.

Mga pagtutukoy ng JW1AFSN-DC36V-F

NUMERO NG BAHAGI	JW1AFSN-DC36V-F
MANUFACTURER	Panasonic
PAGLALARAWAN	JW RELAY 1 FORM A 36V 10A
LEAD FREE STATUS / KATAYUAN NG ROHS	Lead free / RoHS Compliant
AVAILABLE ANG DAMI	38069 pcs
DATA SHEET	JW1AFSN-DC36V-F.pdf
SERYE	*
ANG SENSITIVITY LEVEL (MSL)	1 (Unlimited)
LEAD LIBRENG STATUS / KATAYUAN NG ROHS	Lead free / RoHS Compliant
DETALYADONG PAGLALARAWAN	Relay Coil

Kaugnay na Mga Tag

Panasonic JW1AFSN-DC36V-F	JW1AFSN-DC36V-F Distributor	JW1AFSN-DC36V-F Supplier
JW1AFSN-DC36V-F Presyo	JW1AFSN-DC36V-F Pictures	JW1AFSN-DC36V-F Image
JW1AFSN-DC36V-F PDF Datasheet	JW1AFSN-DC36V-F I-download ang Datasheet	JW1AFSN-DC36V-F Datasheet
JW1AFSN-DC36V-F Stock	Bumili ng JW1AFSN-DC36V-F	Bumili Panasonic JW1AFSN-DC36V-F
Panasonic JW1AFSN-DC36V-F	Panasonic Supplier	Panasonic Distributor
Panasonic JW1AFSN-DC36V-F	Panasonic - Consumer Division JW1AFSN-DC36V-F	Panasonic - Consumer Electronics Corp. JW1AFSN-DC36V-F
Panasonic Battery Group JW1AFSN-DC36V-F	Panasonic Electric Works - ACSD JW1AFSN-DC36V-F	Panasonic Electronic Components - Semiconductor Pr JW1AFSN-DC36V-F
Panasonic - ATG JW1AFSN-DC36V-F	Panasonic - BSG JW1AFSN-DC36V-F	Panasonic - DTG JW1AFSN-DC36V-F
Panasonic Electric Works JW1AFSN-DC36V-F	Panasonic Electronic Components JW1AFSN-DC36V-F	Panasonic Industrial Automation Sales JW1AFSN-DC36V-F
Panasonic Semiconductor JW1AFSN-DC36V-F		

Kaugnay na Mga Produkto

<p>JW1AFSN-DC5V-F Mga Tagagawa: Panasonic Paglalarawan: RELAY GEN PURPOSE SPST 10A 5V Sa stock: 28185 pcs RFQ</p>	<p>JW1AFSN-DC24V Mga Tagagawa: Panasonic Paglalarawan: RELAY GEN PURPOSE SPST 10A 24V Sa stock: 4181 pcs RFQ</p>
<p>JW1AFSN-DC24V-TUV-F Mga Tagagawa: Panasonic Paglalarawan: JW RELAY 1 FORM A 24V 10A Sa stock: 39266 pcs RFQ</p>	<p>JW1AFSN-DC48V-TV Mga Tagagawa: Panasonic Paglalarawan: RELAY GEN PURPOSE SPST 10A 48V Sa stock: 40394 pcs RFQ</p>
<p>JW1AFSN-DC24V-F Mga Tagagawa: Panasonic Paglalarawan: RELAY GEN PURPOSE SPST 10A 24V Sa stock: 28810 pcs RFQ</p>	<p>JW1AFSN-DC18V Mga Tagagawa: Panasonic Paglalarawan: RELAY GEN PURPOSE SPST 10A 18V Sa stock: 44608 pcs RFQ</p>
<p>JW1AFSN-DC24V-TV Mga Tagagawa: Panasonic Paglalarawan: RELAY GEN PURPOSE SPST 10A 24V Sa stock: 39989 pcs RFQ</p>	<p>JW1AFSN-DC48V-F Mga Tagagawa: Panasonic Paglalarawan: RELAY GEN PURPOSE SPST 10A 48V Sa stock: 31362 pcs RFQ</p>
<p>JW1AFSN-DC24V-TV-F Mga Tagagawa: Panasonic Paglalarawan: JW RELAY 1 FORM A 24V 10A Sa stock: 33848 pcs RFQ</p>	<p>JW1AFSN-DC48V-TV-F Mga Tagagawa: Panasonic Paglalarawan: JW RELAY 1 FORM A 48V 10A Sa stock: 37571 pcs RFQ</p>
<p>JW1AFSN-DC5V Mga Tagagawa: Panasonic Paglalarawan: RELAY GEN PURPOSE SPST 10A 5V Sa stock: 3779 pcs RFQ</p>	<p>JW1AFSN-DC48V Mga Tagagawa: Panasonic Paglalarawan: RELAY GEN PURPOSE SPST 10A 48V Sa stock: 40277 pcs RFQ</p>