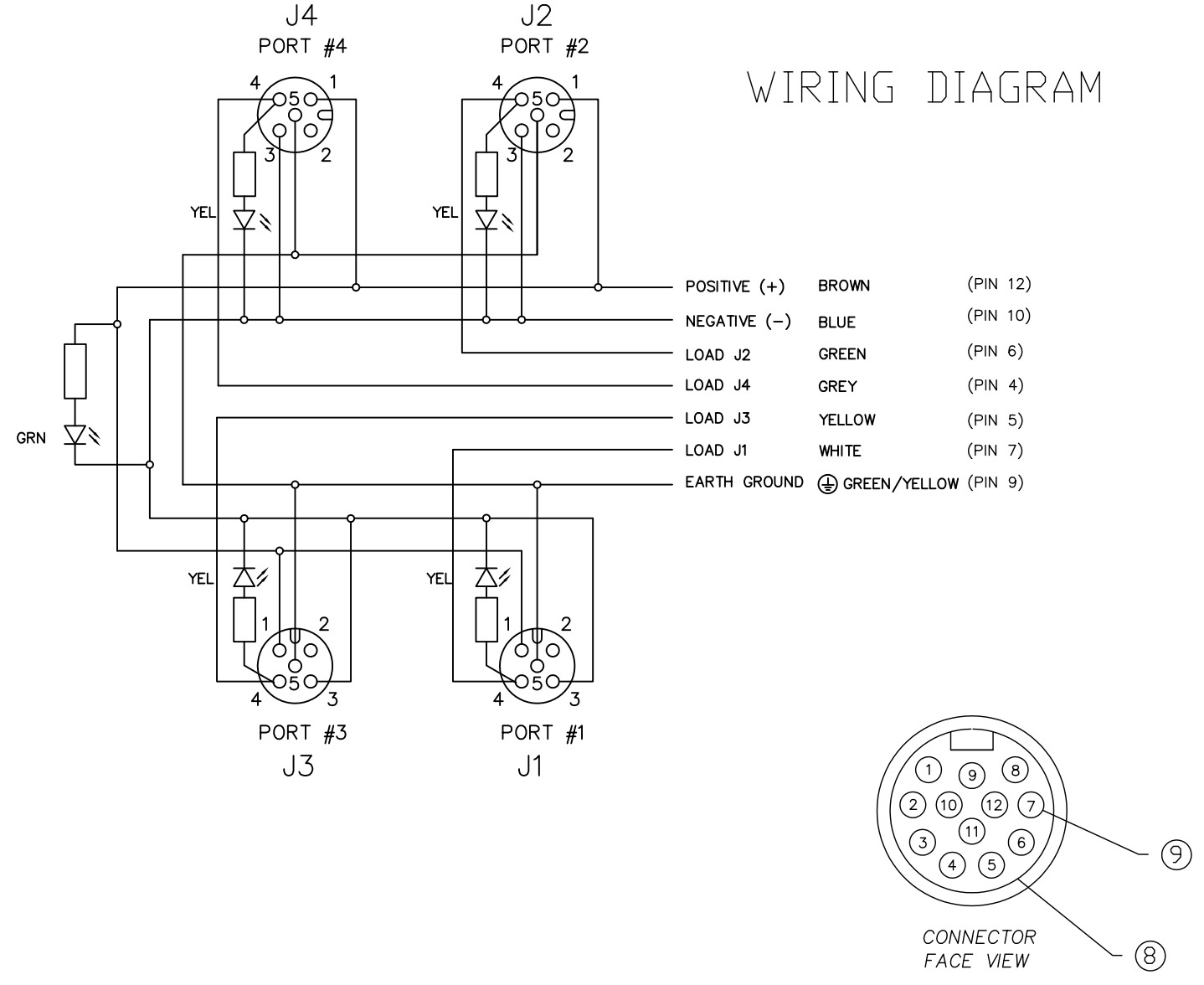
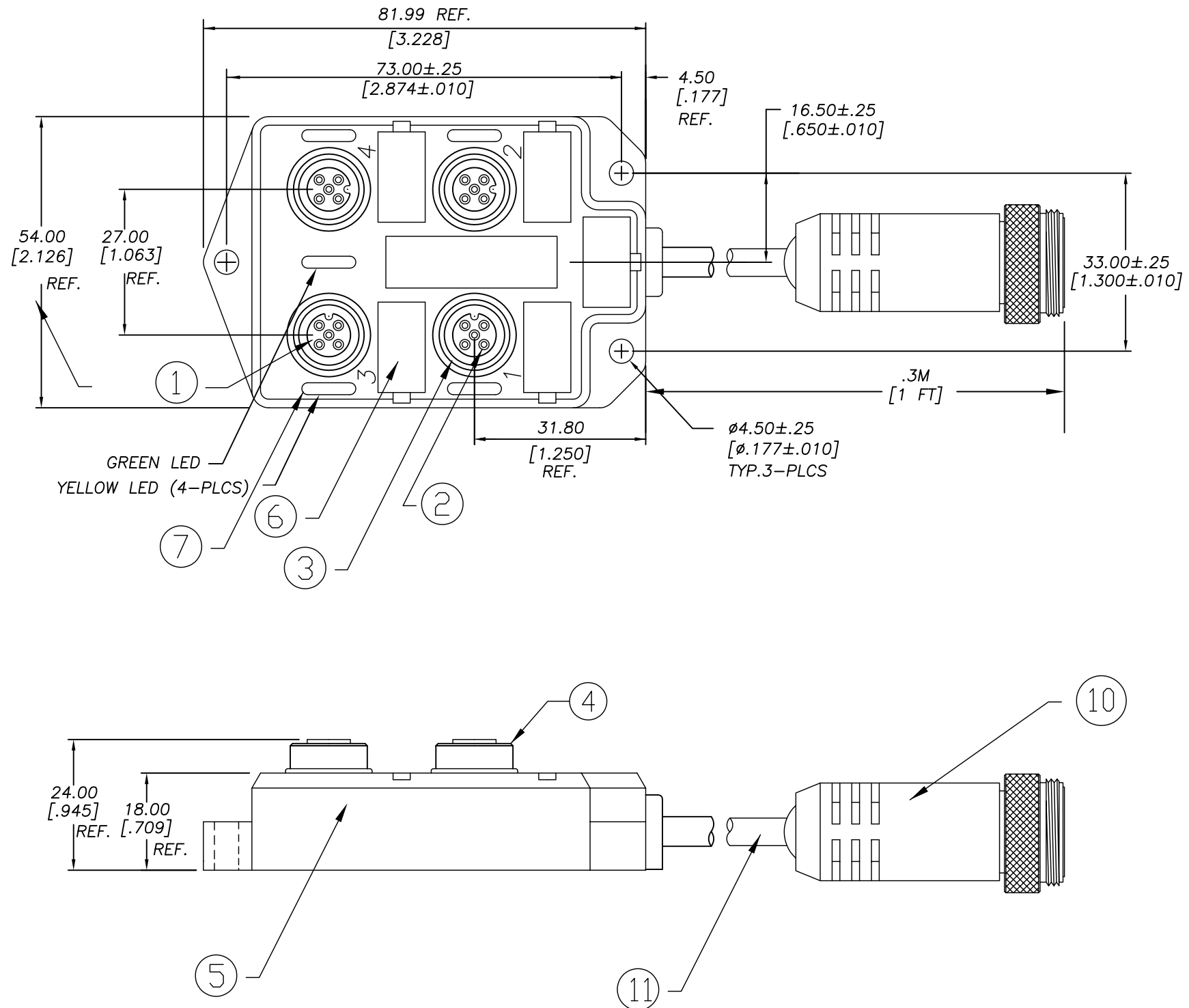


13	12	11	10	9	8	7	6	5	4	3	2	1
MATERIAL NUMBER	OLD PART NUMBER											
1201140053	BTY497P-FBP											



NUMBERS IN BRACKETS ARE FOR NUMBERED CORED CABLE

ITEM	MATERIAL	FINISH
1	INSERT	NYLON
2	CONTACT SOCKET	COPPER ALLOY
3	O-RING	VITON
4	RECEPTACLE SHELL	BRASS
5	HOUSING	PBT
6	LABEL	ABS
7	LENS	NYLON
8	INSERT	PVC
9	CONTACT PIN	COPPER ALLOY
10	RECEPTACLE SHELL	BRASS
11	CABLE 18AWG, 3 CONDUCTOR + 22AWG 8 CONDUCTOR, 300V, HIGH FLEX	

VOLTAGE RATING	10-30 VDC
AMPERAGE RATING PER PORT	4 AMPS
PROTECTION	IP67
OPERATING TEMPERATURE	-20°C TO 90°C
UL CERTIFICATIONS	UL RECOGNIZED, FILE NO. E46237
CSA CERTIFICATIONS	CSA CERTIFIED, FILE NO. LR6837

ADD 2 PINS TO TABLE EC NO: WEU2010-0441 DRWN: BBRAUCH 2010/03/17 CH'KD: FP APPR: FPACHER 2010/03/19	QUALITY SYMBOL ▽=0 ◁=0	GENERAL TOLERANCES (UNLESS SPECIFIED)		DIMENSION STYLE IN/MM		SCALE 2:1	DESIGN UNITS METRIC	THIRD ANGLE PROJECTION		
		4 PLACES	±---	±---	DRAWN BY BBRAUCH	DATE 2010/03/17	TITLE MICRO-CHANGE MPIS 4 PORT TOP MOUNT PNP #18/3 + #22/8 CABLE MOLEX INCORPORATED			
		3 PLACES	±---	±---	CHECKED BY FP	DATE 2010/03/17				
		2 PLACES	±---	±.01	APPROVED BY FPACHER	DATE 2010/03/18	MATERIAL NO. SEE CHART	DOCUMENT NO. SD-120114-064	SHEET NO. 1 OF 1	
1 PLACE	±0.3	±---	ANGULAR ±---°		THIS DRAWING CONTAINS INFORMATION THAT IS PROPRIETARY TO MOLEX INCORPORATED AND SHOULD NOT BE USED WITHOUT WRITTEN PERMISSION					
DRAFT WHERE APPLICABLE MUST REMAIN WITHIN DIMENSIONS			SIZE C							