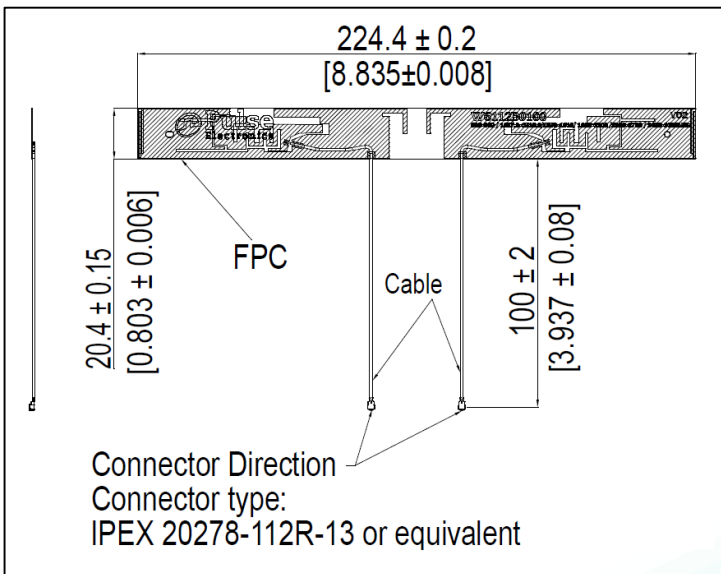


Description: 2x2 MIMO LTE FPC ANTENNA

Series: Gemini

PART NUMBER: W6112B0100



All dimensions are in mm / inches

Issue: 1616

In the effort to improve our products, we reserve the right to make changes judged to be necessary.

CONFIDENTIAL AND PROPRIETARY INFORMATION

This document contains confidential and proprietary information of Pulse Electronics, Inc. (Pulse) and is protected by copyright, trade secret and other state and federal laws. Its receipt or possession does not convey any rights to reproduce, disclose its contents, or to manufacture, use or sell anything it may describe. Reproduction, disclosure or use without specific written authorization of Pulse is strictly forbidden.

For more information:

Pulse Worldwide Headquarters
12220 World Trade Drive
San Diego, CA 92128
USA
Tel: 1-858-674-8100

Pulse/Larsen Antennas
18110 SE 34th St Bldg 2 Suite 250
Vancouver, WA 98683
USA
Tel: 1-360-944-7551

Europe Headquarters
Pulse GmbH & Do, KG
Zeppelinstrasse 15
Herrenberg, Germany
Tel: 49 7032 7806 0

Pulse (Suzhou) Wireless Products Co, Inc.
99 Huo Ju Road(#29 Bldg, 4th Phase
Suzhou New District
Jiangsu Province, Suzhou 215009 PR China
Tel: 86 512 6807 9998

Features:

- 2G / 3G / 4G
- Global LTE Bands:
 - B1-B23, B25-B29, B33-B42
 - N.A.; Europe, Asia (incl. Jap.)
- Single device
 - Guaranteed Port-to-Port Isolation
- Foldable for tight spaces

Applications:

- Challenging RF Environments Demanding:
 - Highest Peak Gain
 - Lowest ECC (Envelope Correlation Coeff.).
- Matched to Radio Modules from:
 - Sierra Wireless, Telit, Huawei, Gemalto, uBlox, ZTE, and others.
- Security, Video, Graphics
- IoT, SmartGrid, Meters, Remote Monitoring, Sensor Networks
- Transportation, Tracking



Description: 2x2 MIMO LTE FPC ANTENNA

Series: Gemini

PART NUMBER: W6112B0100

ELECTRICAL SPECIFICATIONS

Frequency	698-960/1427.9-1510.9/1559-1610/ 1695-2200/2300-2700/3400-3600 MHz
Nominal Impedance	50Ω
Return loss(698-960MHz)	-6dB
Return loss(1427.9-1510.9/1559-1610/ 1695-2200/2300-2700/3400-3600MHz)	-7.5dB
Isolation(698-960MHz)	-10dB
Isolation(1427.9-1510.9/1559-1610/ 1695-2200/2300-2700/3400-3600MHz)	-13dB
Average Total Efficiency (698-960MHz)	55%
Average Total Efficiency (1427.9-1510.9MHz)	60%
Average Total Efficiency (1559-1610MHz)	60%
Average Total Efficiency (1695-2200MHz)	65%
Average Total Efficiency (2300-2700MHz)	70%
Average Total Efficiency (3400-3600MHz)	65%

Issue: 1616

In the effort to improve our products, we reserve the right to make changes judged to be necessary.

CONFIDENTIAL AND PROPRIETARY INFORMATION

This document contains confidential and proprietary information of Pulse Electronics, Inc. (Pulse) and is protected by copyright, trade secret and other state and federal laws. Its receipt or possession does not convey any rights to reproduce, disclose its contents, or to manufacture, use or sell anything it may describe. Reproduction, disclosure or use without specific written authorization of Pulse is strictly forbidden.

Description: 2x2 MIMO LTE FPC ANTENNA**Series: Gemini****PART NUMBER: W6112B0100****ELECTRICAL SPECIFICATIONS**

Peak Gain (698-960MHz)	4.3dBi
Peak Gain (1427.9-1510.9MHz)	3.4dBi
Peak Gain (1559-1610MHz)	2.4dBi
Peak Gain (1695-2200MHz)	4.1dBi
Peak Gain (2300-2700MHz)	4.6dBi
Peak Gain (3400-3600MHz)	4.0dBi
Radiation Pattern	Omni
Polarization	Linear
Power withstanding	3W
Connector type	IPEX 20278-112R-13
Cable type	Low loss Φ 1.13mm Coaxial Cable
Cable length	100mm

(* All RF parameters measured on 2mm thick PC plate

Description: 2x2 MIMO LTE FPC ANTENNA

Series: Gemini

PART NUMBER: W6112B0100

MECHANICAL SPECIFICATIONS

Color	Black
Weight	2.9 g
Overall Length	8.835 INCHES
Fixing system	Adhesive Tape, 3M6677 PC

ENVIRONMENTAL SPECIFICATIONS

Operating temperature	-40~85° C
-----------------------	-----------

Issue: 1616

In the effort to improve our products, we reserve the right to make changes judged to be necessary.

CONFIDENTIAL AND PROPRIETARY INFORMATION

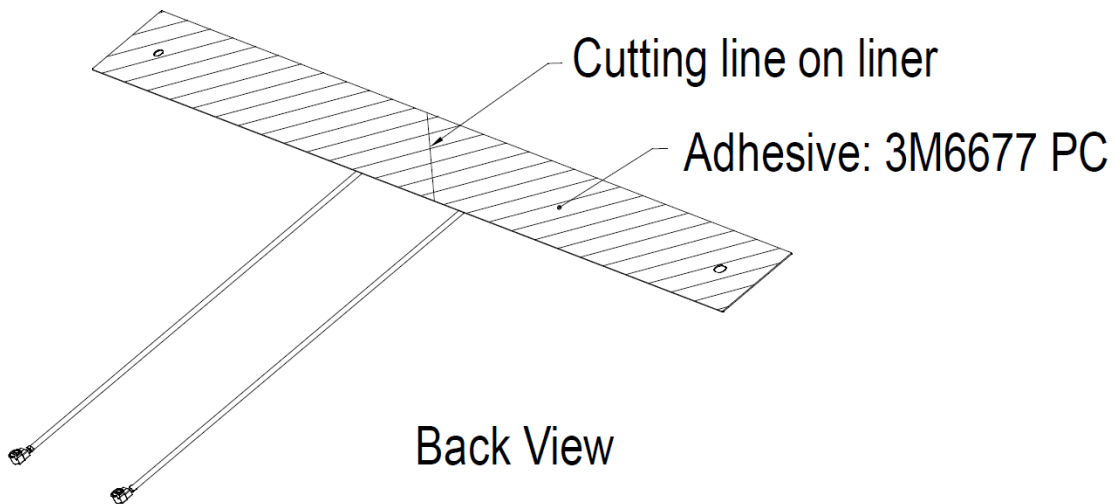
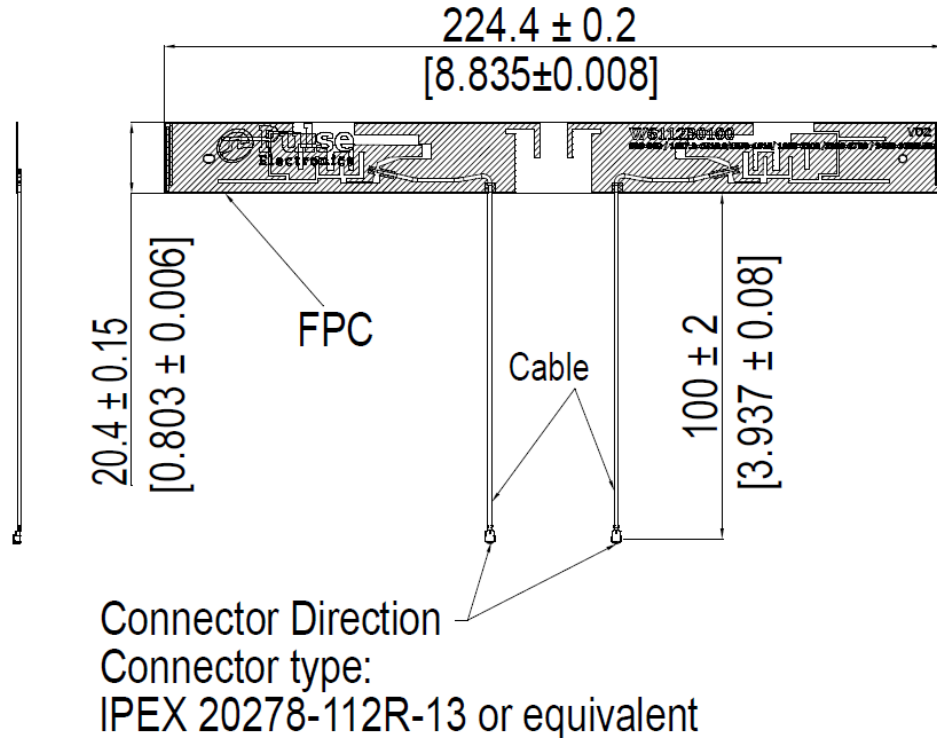
This document contains confidential and proprietary information of Pulse Electronics, Inc. (Pulse) and is protected by copyright, trade secret and other state and federal laws. Its receipt or possession does not convey any rights to reproduce, disclose its contents, or to manufacture, use or sell anything it may describe. Reproduction, disclosure or use without specific written authorization of Pulse is strictly forbidden.

Description: 2x2 MIMO LTE FPC ANTENNA

Series: Gemini

PART NUMBER: W6112B0100

MECHANICAL DRAWING



Issue: 1616

In the effort to improve our products, we reserve the right to make changes judged to be necessary.

CONFIDENTIAL AND PROPRIETARY INFORMATION

This document contains confidential and proprietary information of Pulse Electronics, Inc. (Pulse) and is protected by copyright, trade secret and other state and federal laws. Its receipt or possession does not convey any rights to reproduce, disclose its contents, or to manufacture, use or sell anything it may describe. Reproduction, disclosure or use without specific written authorization of Pulse is strictly forbidden.

Description: 2x2 MIMO LTE FPC ANTENNA

Series: Gemini

PART NUMBER: W6112B0100

CHARTS

Return Loss



Issue: 1616

In the effort to improve our products, we reserve the right to make changes judged to be necessary.

CONFIDENTIAL AND PROPRIETARY INFORMATION

This document contains confidential and proprietary information of Pulse Electronics, Inc. (Pulse) and is protected by copyright, trade secret and other state and federal laws. Its receipt or possession does not convey any rights to reproduce, disclose its contents, or to manufacture, use or sell anything it may describe. Reproduction, disclosure or use without specific written authorization of Pulse is strictly forbidden.

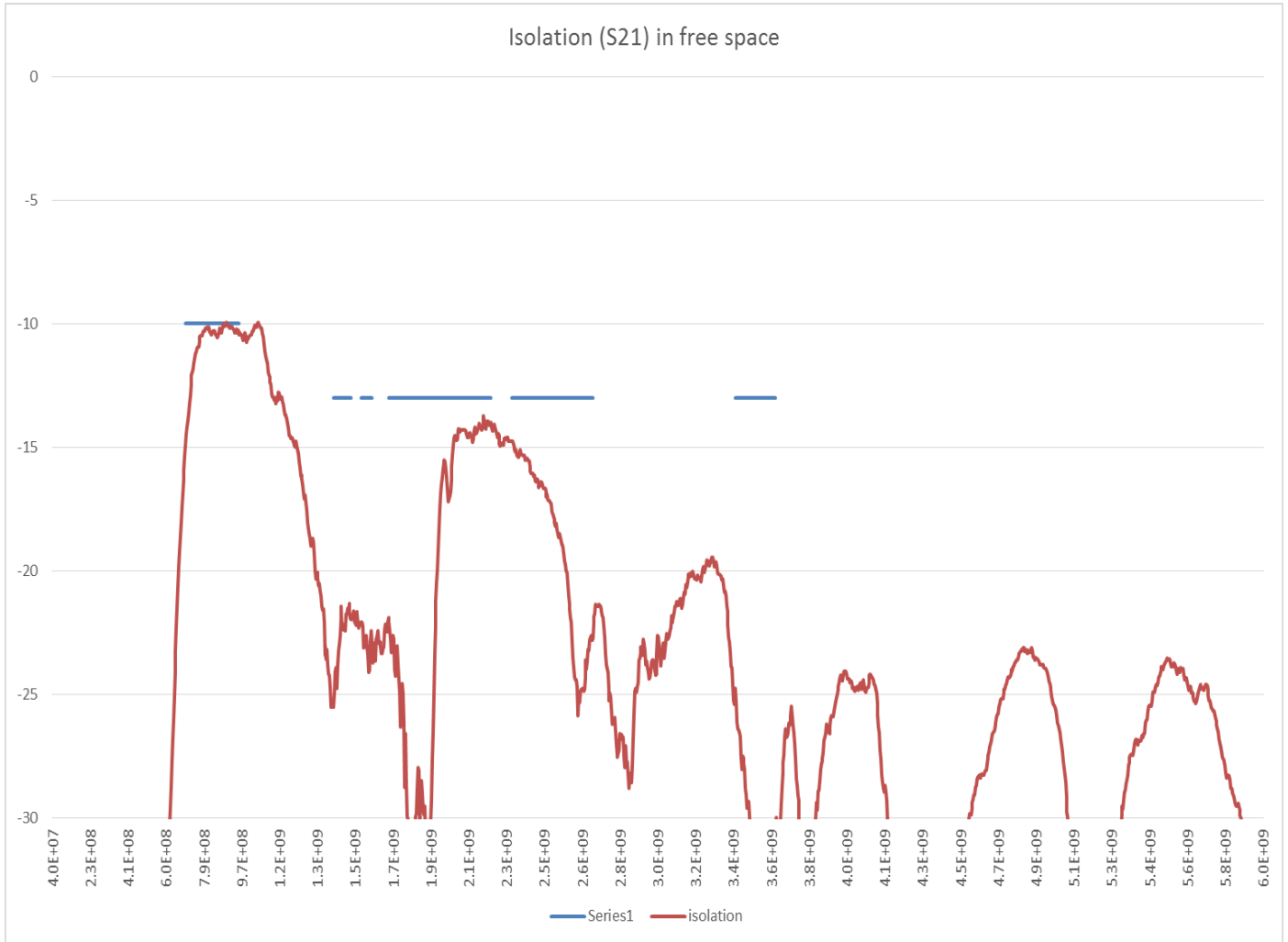
Description: 2x2 MIMO LTE FPC ANTENNA

Series: Gemini

PART NUMBER: W6112B0100

CHARTS

Isolation



Issue: 1616

In the effort to improve our products, we reserve the right to make changes judged to be necessary.

CONFIDENTIAL AND PROPRIETARY INFORMATION

This document contains confidential and proprietary information of Pulse Electronics, Inc. (Pulse) and is protected by copyright, trade secret and other state and federal laws. Its receipt or possession does not convey any rights to reproduce, disclose its contents, or to manufacture, use or sell anything it may describe. Reproduction, disclosure or use without specific written authorization of Pulse is strictly forbidden.

Description: 2x2 MIMO LTE FPC ANTENNA

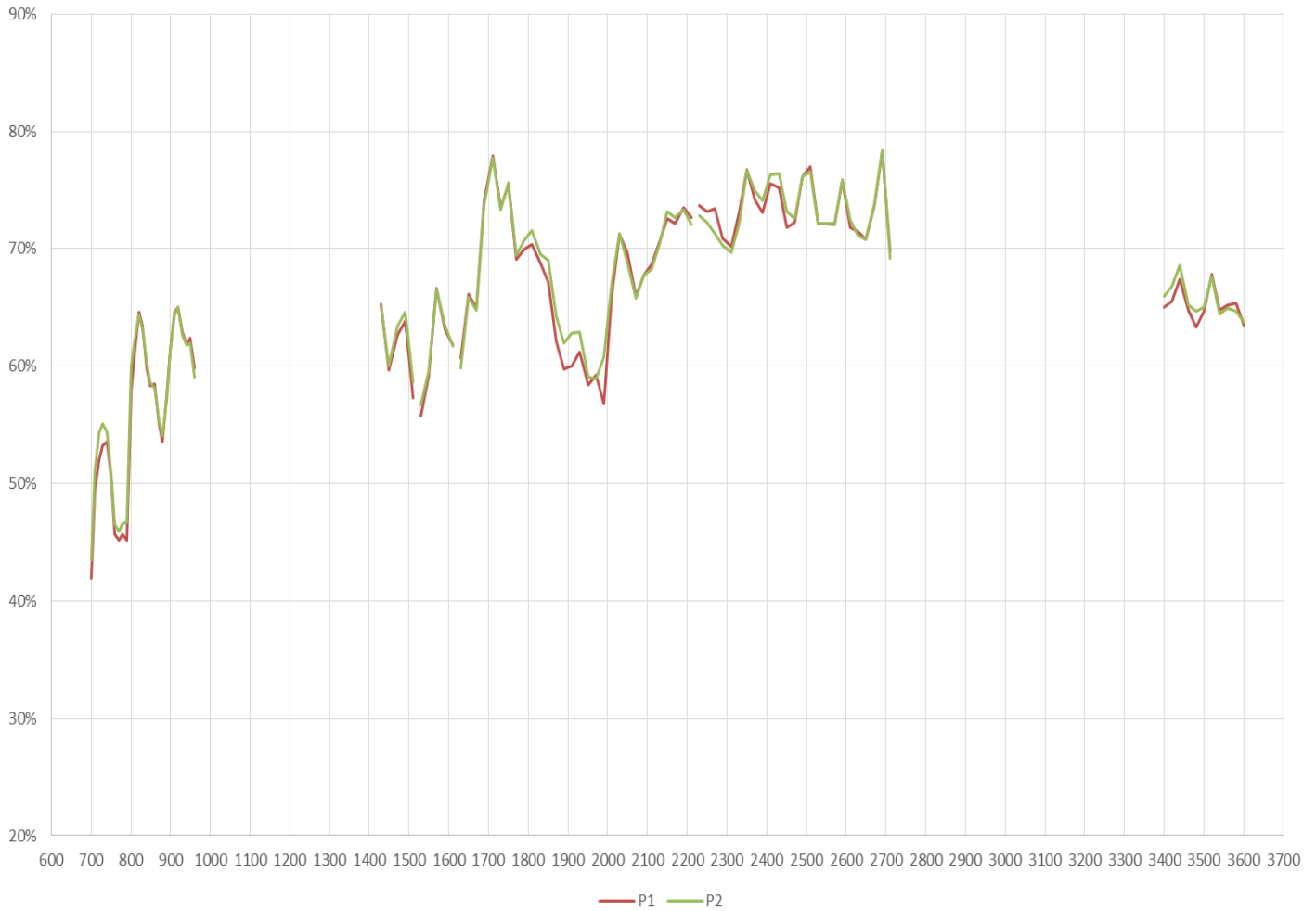
Series: Gemini

PART NUMBER: W6112B0100

CHARTS

Efficiency(%)

Total Efficiency in free space, %



Issue: 1616

In the effort to improve our products, we reserve the right to make changes judged to be necessary.

CONFIDENTIAL AND PROPRIETARY INFORMATION

This document contains confidential and proprietary information of Pulse Electronics, Inc. (Pulse) and is protected by copyright, trade secret and other state and federal laws. Its receipt or possession does not convey any rights to reproduce, disclose its contents, or to manufacture, use or sell anything it may describe. Reproduction, disclosure or use without specific written authorization of Pulse is strictly forbidden.



Description: 2x2 MIMO LTE FPC ANTENNA

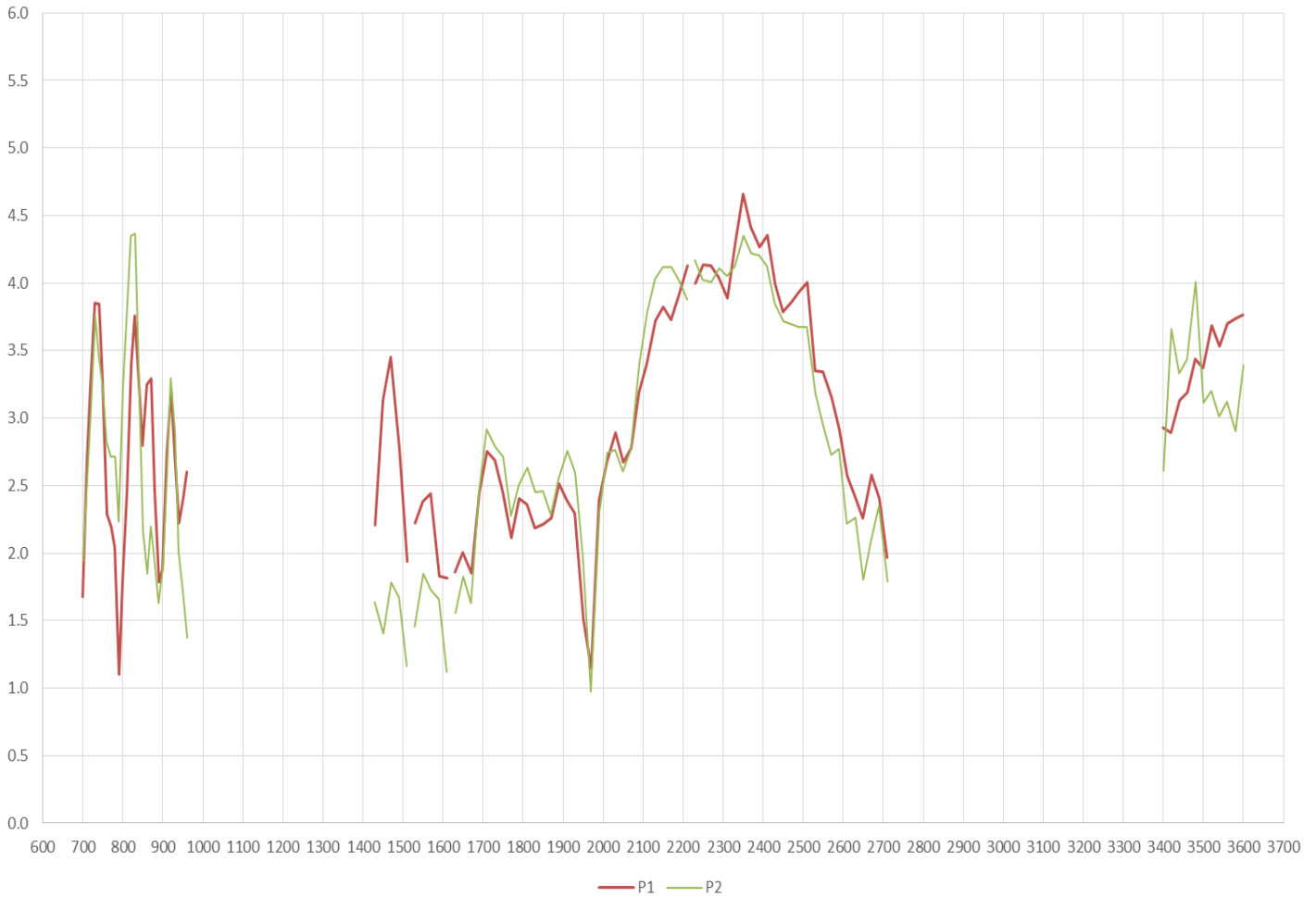
Series: Gemini

PART NUMBER: W6112B0100

CHARTS

Peak Gain(dBi)

Peak gain in free space, dBi



Issue: 1616

In the effort to improve our products, we reserve the right to make changes judged to be necessary.

CONFIDENTIAL AND PROPRIETARY INFORMATION

This document contains confidential and proprietary information of Pulse Electronics, Inc. (Pulse) and is protected by copyright, trade secret and other state and federal laws. Its receipt or possession does not convey any rights to reproduce, disclose its contents, or to manufacture, use or sell anything it may describe. Reproduction, disclosure or use without specific written authorization of Pulse is strictly forbidden.

Description: 2x2 MIMO LTE FPC ANTENNA

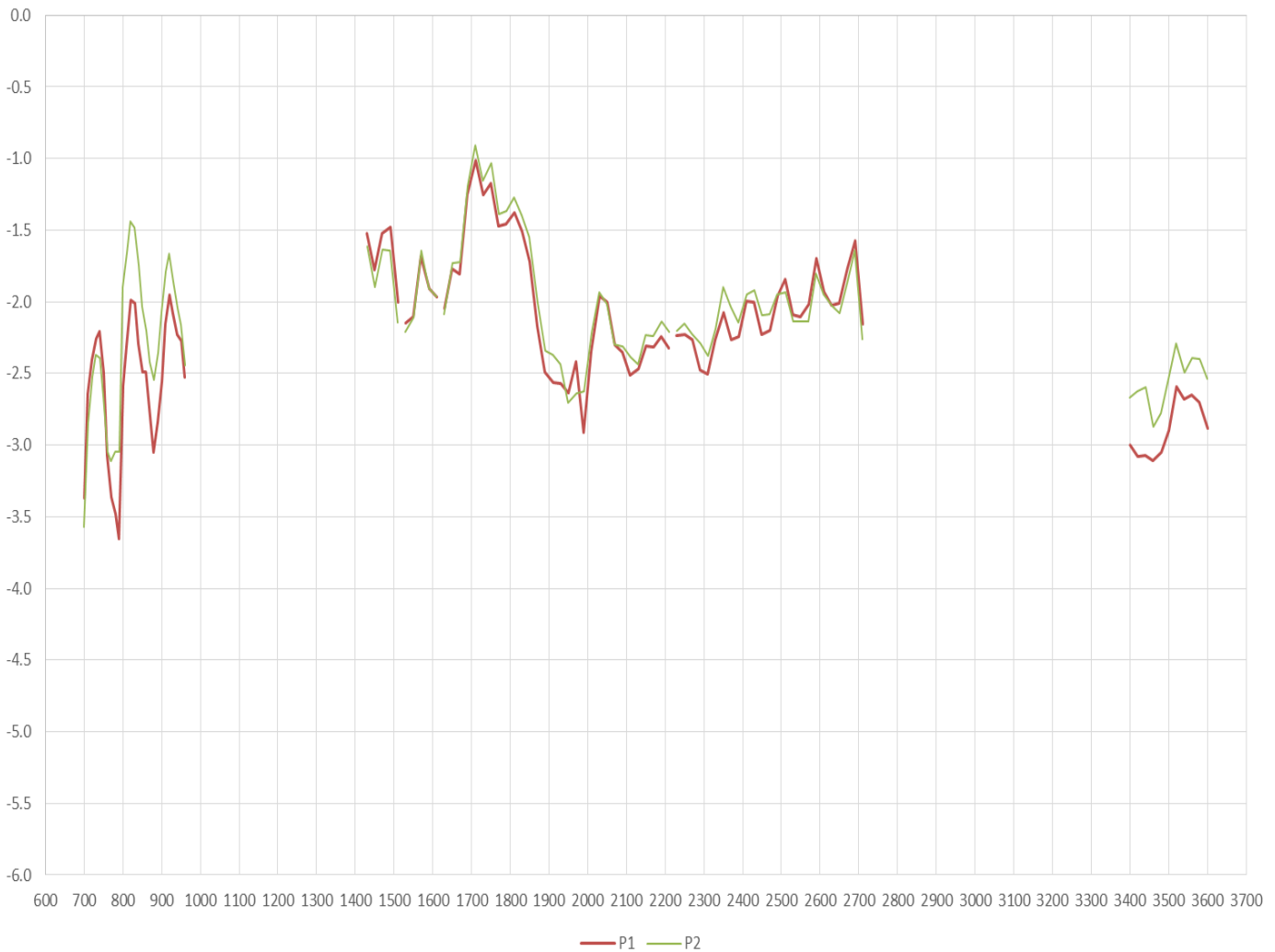
Series: Gemini

PART NUMBER: W6112B0100

CHARTS

Average Gain(dBi)

Average gain in free space, dBi



Issue: 1616

In the effort to improve our products, we reserve the right to make changes judged to be necessary.

CONFIDENTIAL AND PROPRIETARY INFORMATION

This document contains confidential and proprietary information of Pulse Electronics, Inc. (Pulse) and is protected by copyright, trade secret and other state and federal laws. Its receipt or possession does not convey any rights to reproduce, disclose its contents, or to manufacture, use or sell anything it may describe. Reproduction, disclosure or use without specific written authorization of Pulse is strictly forbidden.

Description: 2x2 MIMO LTE FPC ANTENNA

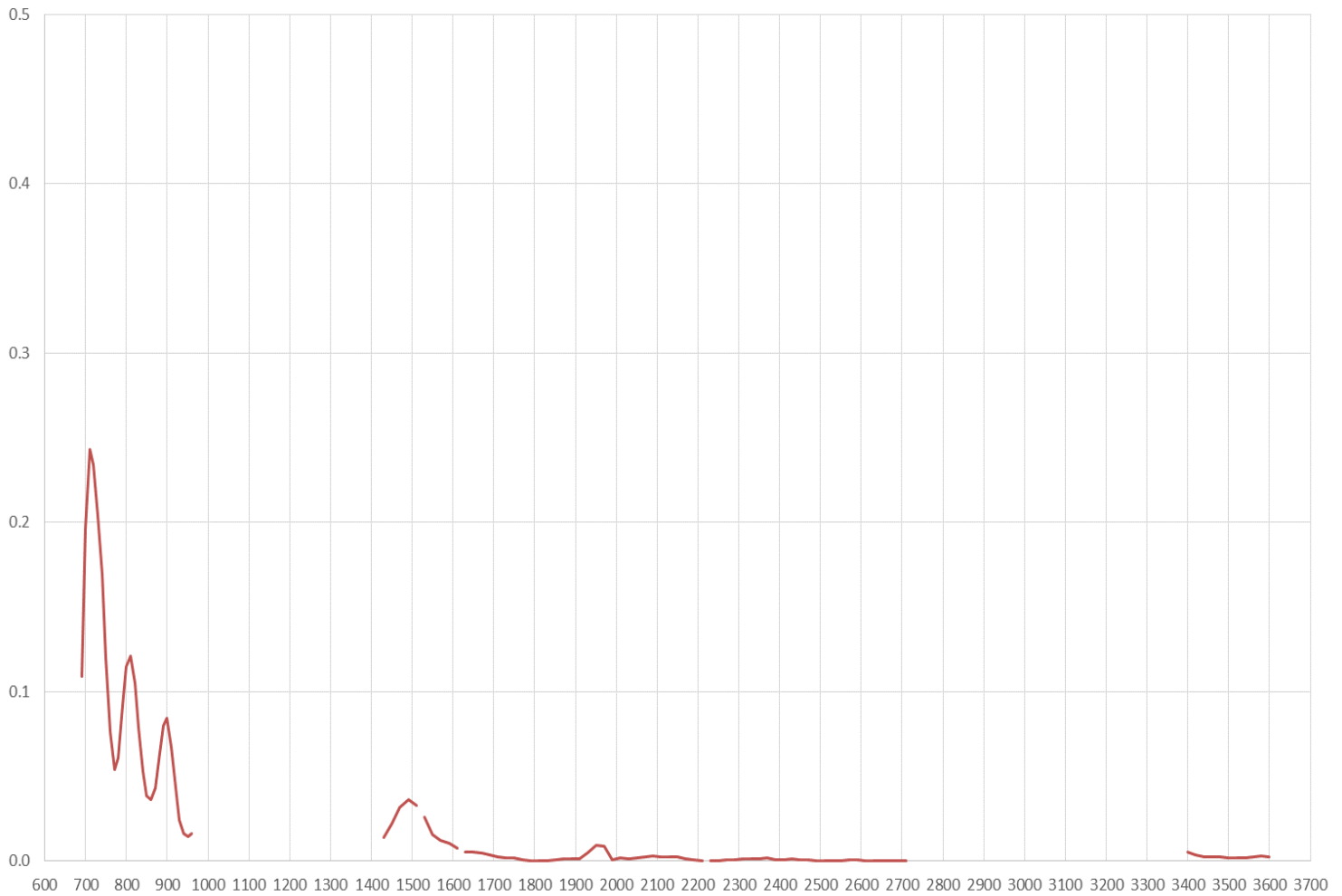
Series: Gemini

PART NUMBER: W6112B0100

CHARTS

ECC

ECC in free space, uniform pdf, XPR=0dB



Issue: 1616

In the effort to improve our products, we reserve the right to make changes judged to be necessary.

CONFIDENTIAL AND PROPRIETARY INFORMATION

This document contains confidential and proprietary information of Pulse Electronics, Inc. (Pulse) and is protected by copyright, trade secret and other state and federal laws. Its receipt or possession does not convey any rights to reproduce, disclose its contents, or to manufacture, use or sell anything it may describe. Reproduction, disclosure or use without specific written authorization of Pulse is strictly forbidden.

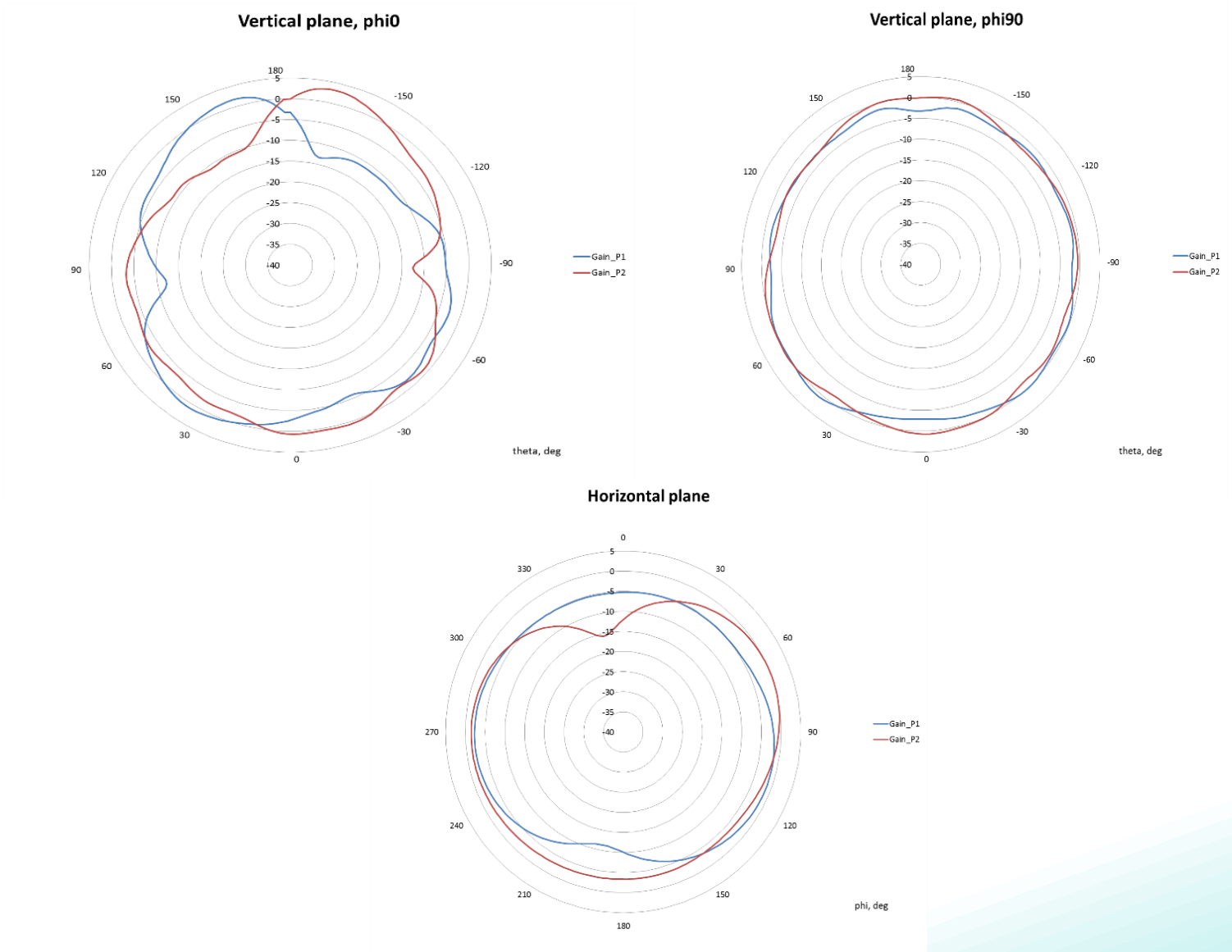
Description: 2x2 MIMO LTE FPC ANTENNA

Series: Gemini

PART NUMBER: W6112B0100

CHARTS

Typical free space radiation pattern
698-960MHz
(800MHz)



Issue: 1616

In the effort to improve our products, we reserve the right to make changes judged to be necessary.

CONFIDENTIAL AND PROPRIETARY INFORMATION

This document contains confidential and proprietary information of Pulse Electronics, Inc. (Pulse) and is protected by copyright, trade secret and other state and federal laws. Its receipt or possession does not convey any rights to reproduce, disclose its contents, or to manufacture, use or sell anything it may describe. Reproduction, disclosure or use without specific written authorization of Pulse is strictly forbidden.

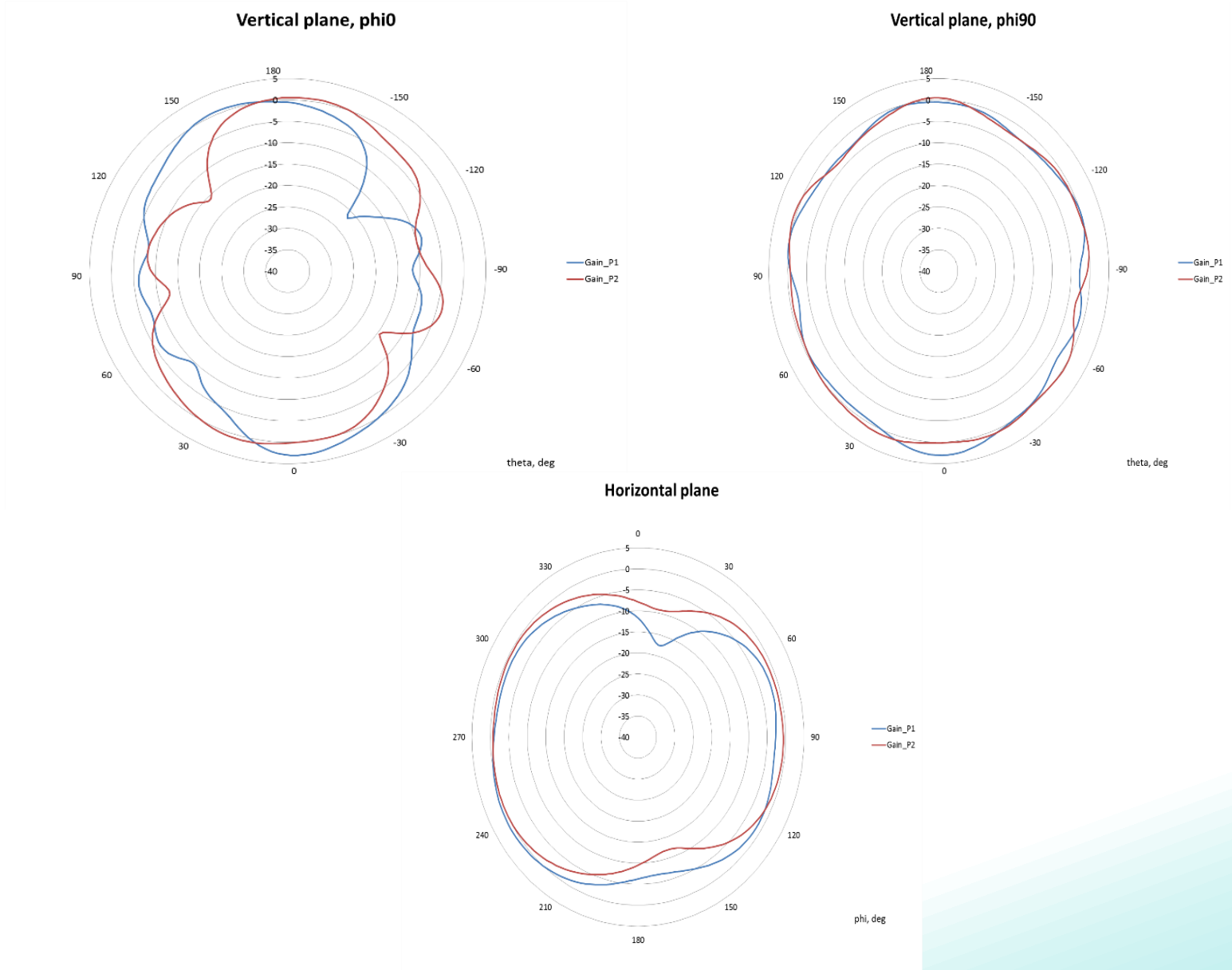
Description: 2x2 MIMO LTE FPC ANTENNA

Series: Gemini

PART NUMBER: W6112B0100

CHARTS

Typical free space radiation pattern
 1427.9-1510.9MHz
 (1450MHz)



Issue: 1616

In the effort to improve our products, we reserve the right to make changes judged to be necessary.

CONFIDENTIAL AND PROPRIETARY INFORMATION

This document contains confidential and proprietary information of Pulse Electronics, Inc. (Pulse) and is protected by copyright, trade secret and other state and federal laws. Its receipt or possession does not convey any rights to reproduce, disclose its contents, or to manufacture, use or sell anything it may describe. Reproduction, disclosure or use without specific written authorization of Pulse is strictly forbidden.

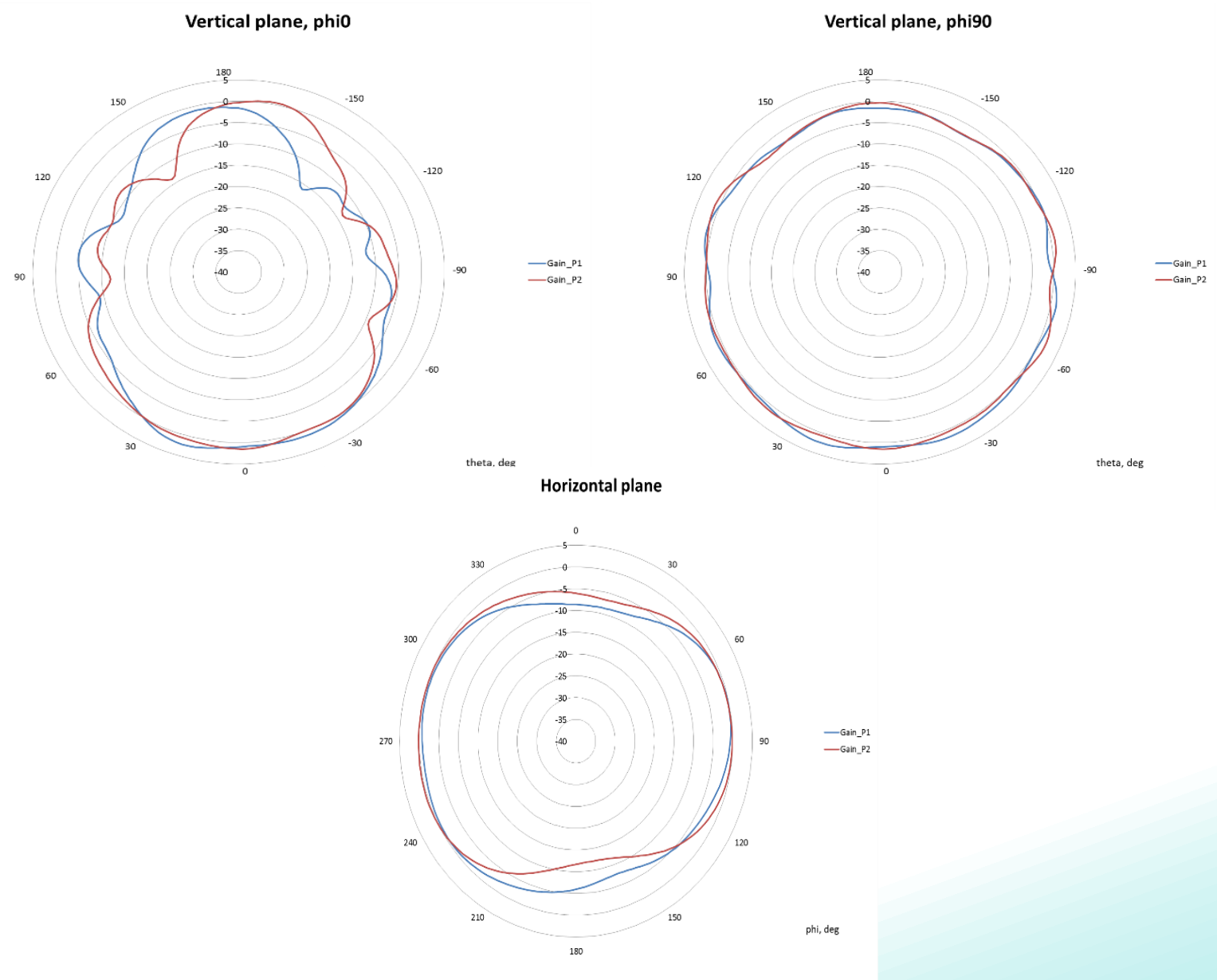
Description: 2x2 MIMO LTE FPC ANTENNA

Series: Gemini

PART NUMBER: W6112B0100

CHARTS

Typical free space radiation pattern
1559-1610MHz
(1570MHz)



Issue: 1616

In the effort to improve our products, we reserve the right to make changes judged to be necessary.

CONFIDENTIAL AND PROPRIETARY INFORMATION

This document contains confidential and proprietary information of Pulse Electronics, Inc. (Pulse) and is protected by copyright, trade secret and other state and federal laws. Its receipt or possession does not convey any rights to reproduce, disclose its contents, or to manufacture, use or sell anything it may describe. Reproduction, disclosure or use without specific written authorization of Pulse is strictly forbidden.

Description: 2x2 MIMO LTE FPC ANTENNA

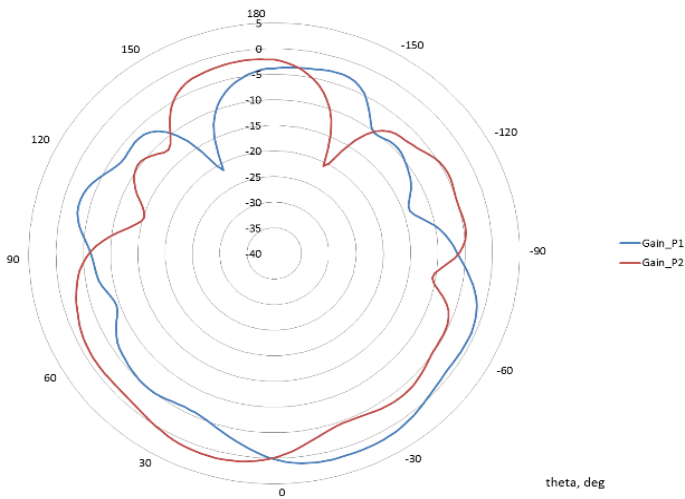
Series: Gemini

PART NUMBER: W6112B0100

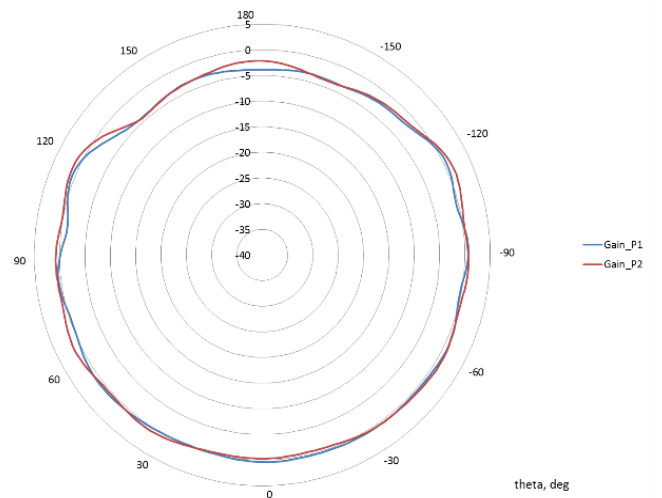
CHARTS

Typical free space radiation pattern
1695-2200MHz
(1930MHz)

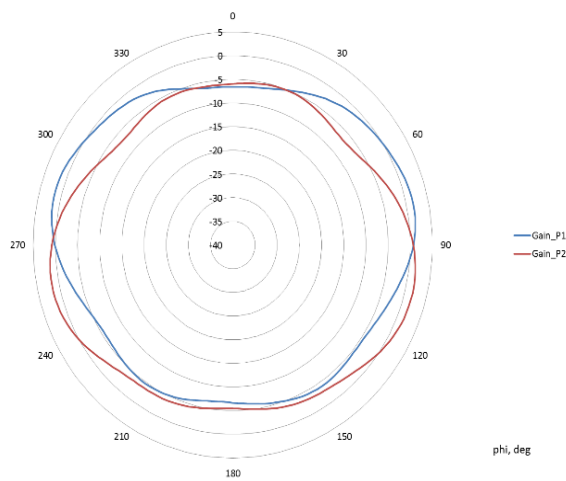
Vertical plane, phi0



Vertical plane, phi90



Horizontal plane



Issue: 1616

In the effort to improve our products, we reserve the right to make changes judged to be necessary.

CONFIDENTIAL AND PROPRIETARY INFORMATION

This document contains confidential and proprietary information of Pulse Electronics, Inc. (Pulse) and is protected by copyright, trade secret and other state and federal laws. Its receipt or possession does not convey any rights to reproduce, disclose its contents, or to manufacture, use or sell anything it may describe. Reproduction, disclosure or use without specific written authorization of Pulse is strictly forbidden.

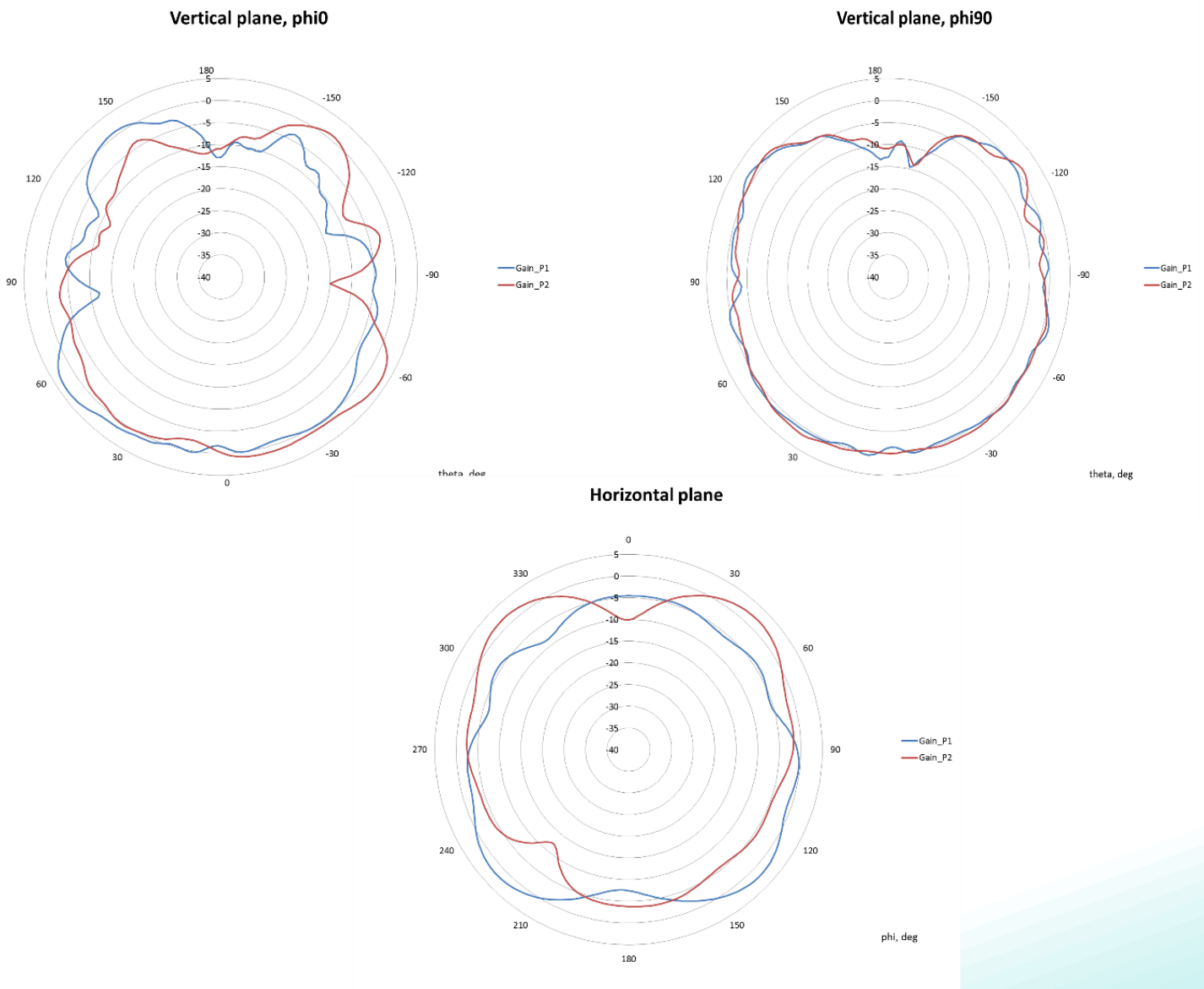
Description: 2x2 MIMO LTE FPC ANTENNA

Series: Gemini

PART NUMBER: W6112B0100

CHARTS

Typical free space radiation pattern
2300-2700MHz
(2390MHz)



Issue: 1616

In the effort to improve our products, we reserve the right to make changes judged to be necessary.

CONFIDENTIAL AND PROPRIETARY INFORMATION

This document contains confidential and proprietary information of Pulse Electronics, Inc. (Pulse) and is protected by copyright, trade secret and other state and federal laws. Its receipt or possession does not convey any rights to reproduce, disclose its contents, or to manufacture, use or sell anything it may describe. Reproduction, disclosure or use without specific written authorization of Pulse is strictly forbidden.

Description: 2x2 MIMO LTE FPC ANTENNA

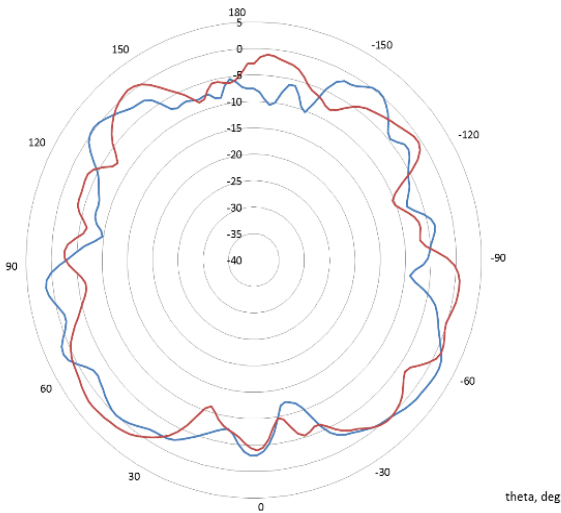
Series: Gemini

PART NUMBER: W6112B0100

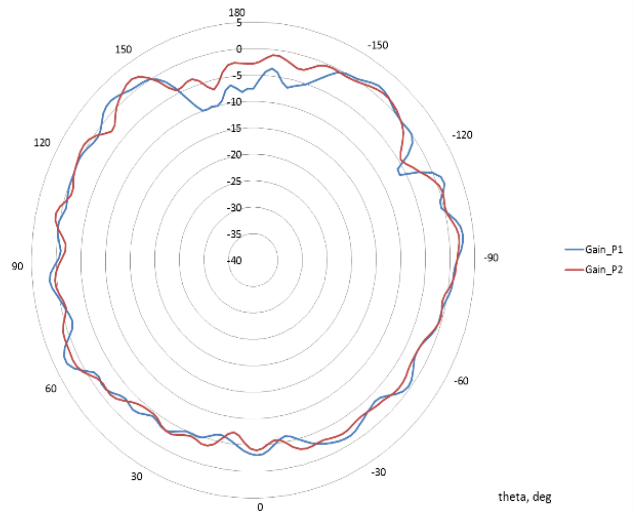
CHARTS

Typical free space radiation pattern
3400-3600MHz
(3400MHz)

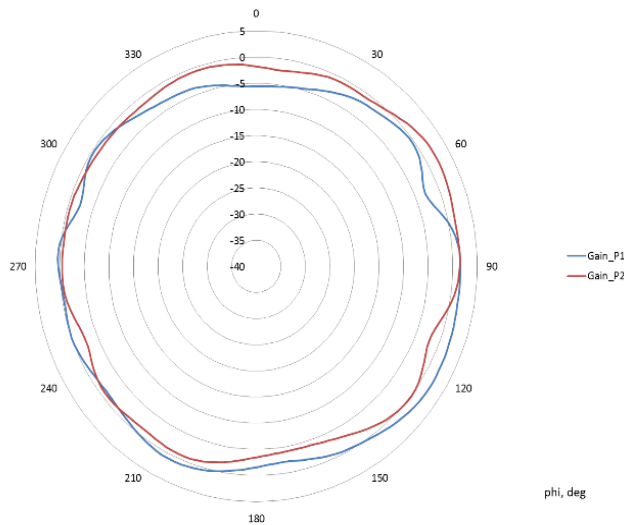
Vertical plane, phi0



Vertical plane, phi90



Horizontal plane



Issue: 1616

In the effort to improve our products, we reserve the right to make changes judged to be necessary.

CONFIDENTIAL AND PROPRIETARY INFORMATION

This document contains confidential and proprietary information of Pulse Electronics, Inc. (Pulse) and is protected by copyright, trade secret and other state and federal laws. Its receipt or possession does not convey any rights to reproduce, disclose its contents, or to manufacture, use or sell anything it may describe. Reproduction, disclosure or use without specific written authorization of Pulse is strictly forbidden.