

THE INFORMATION CONTAINED HEREIN IS CONSIDERED "PROPRIETARY" TO BEL FUSE INC. AND SHALL NOT BE COPIED, REPRODUCED OR DISCLOSED WITHOUT THE WRITTEN APPROVAL OF BEL FUSE INC.

RoHS



ELECTRICAL CHARACTERISTICS @ 25°C

URNS RATIO

TX 1CT : 1  
RX 1CT : 1

DCL @ 100kHz/100mVRMS

8mA DC BIAS 350µH MIN.

INS. LOSS

1MHz TO 100MHz -1.0 dB MAX

RET. LOSS (MIN)

1MHz-30MHz -18 dB  
30MHz-60MHz -18+20LOG(F/30MHz) dB  
60MHz-80MHz -12 dB

CROSS TALK (TX - RX)

500kHz-1MHz -70 dB MIN  
10 MHz -50 dB MIN  
30 MHz -45 dB MIN  
50 MHz -40 dB MIN  
100 MHz -35 dB MIN

CM TO CM REJ

100kHz-1MHz -70 dB MIN  
10 MHz -47 dB MIN  
30 MHz -42 dB MIN  
60 MHz -37 dB MIN  
100 MHz -30 dB MIN

CM TO DM REJ

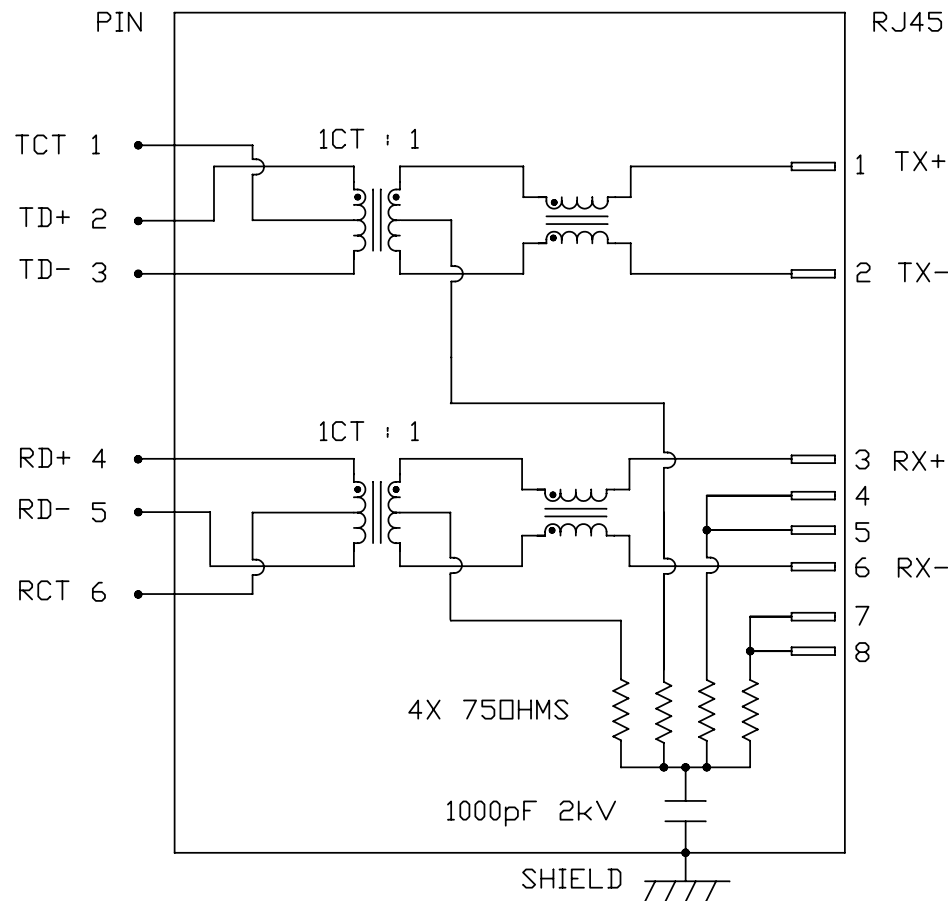
100kHz-1MHz -70 dB MIN  
10 MHz -60 dB MIN  
30 MHz -50 dB MIN  
60 MHz -45 dB MIN  
100 MHz -40 dB MIN

HIPDT (Isolation Voltage):

1500 Vrms

100% OF PRODUCTION TESTED TO COMPLY WITH IEEE 802.3 ISOLATION REQUIREMENTS

SCHEMATIC



ORIGINATED BY	DATE
CHOW WANCHUNG	2012-07-09
DRAWN BY	DATE
TANG QIGUANG	2012-07-09

TITLE	10/100 MagJack® (4 Cores, MDIX, CM Termination)
FILE NAME	08B1-1X1T-06-F PATENTED 08B11X1T06-F_C.DWG

PART NO. / DRAWING NO.	08B11X1T06-F
STANDARD DIM. TOL. IN INCH	.X .XX .XXX

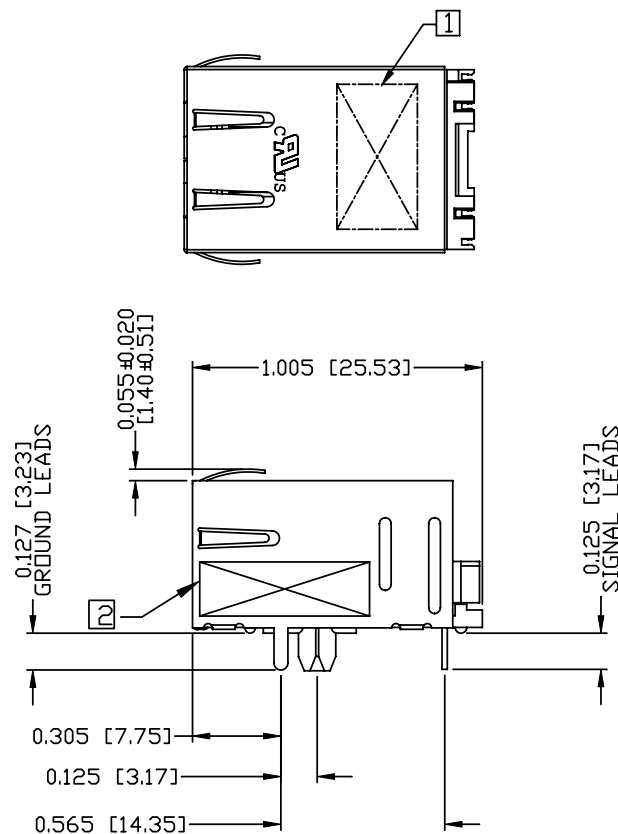
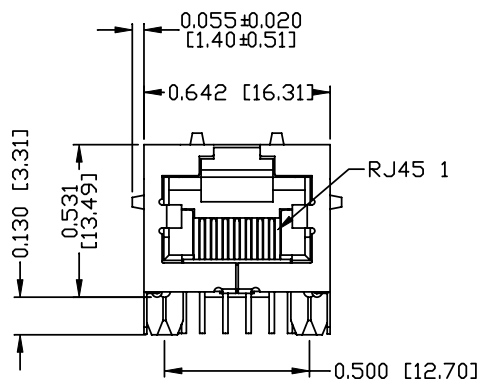
[ ] METRIC DIM. AS REFERENCE	UNIT : INCH [mm]	REV. : C
SCALE : N/A	SIZE : A4	PAGE : 2



THE INFORMATION CONTAINED HEREIN IS CONSIDERED "PROPRIETARY" TO BEL FUSE INC. AND SHALL NOT BE COPIED, REPRODUCED OR DISCLOSED WITHOUT THE WRITTEN APPROVAL OF BEL FUSE INC.

MECHANICAL SPECIFICATION

RoHS



NOTES:

- PLASTIC HOUSING: THERMOPLASTIC PBT  
FLAMMABILITY RATING UL 94V-0
- CONTACTS PLATING: 15 MICRO-INCH HARD GOLD PLATING OR EQUIVALENT.
- PINS: TIN-COATED COPPER WIRE, DIA 0.018 INCH.
- METAL SHIELD: PRE-PLATED NICKEL ON COPPER ALLOY.  
(ALL GROUND LEADS ARE SOLDER DIPPED)

☐ MARK PART WITH MFG LOGO, MFG NAME, PART NUMBER AND DATE CODE.

☑ "PATENTED" MARKING.

c vs UL RECOGNIZED - FILE #E196366 AND E169987.

3. THE PRODUCT IS RoHS COMPLIANT.

4. JACK CAVITY CONFORMS TO FCC RULES AND REGULATIONS. PART 68 SUBPART F.

5. THE PRODUCT IS PATENTED, THE PATENT NUMBER IS U.S. PAT. 5,736,910.

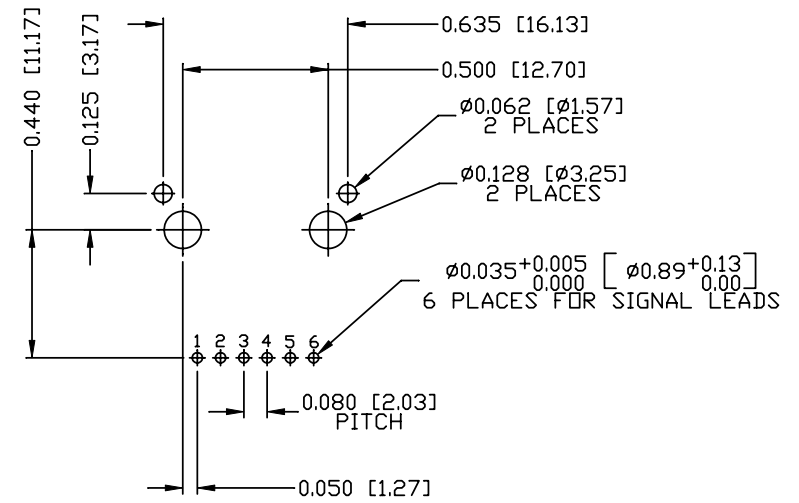
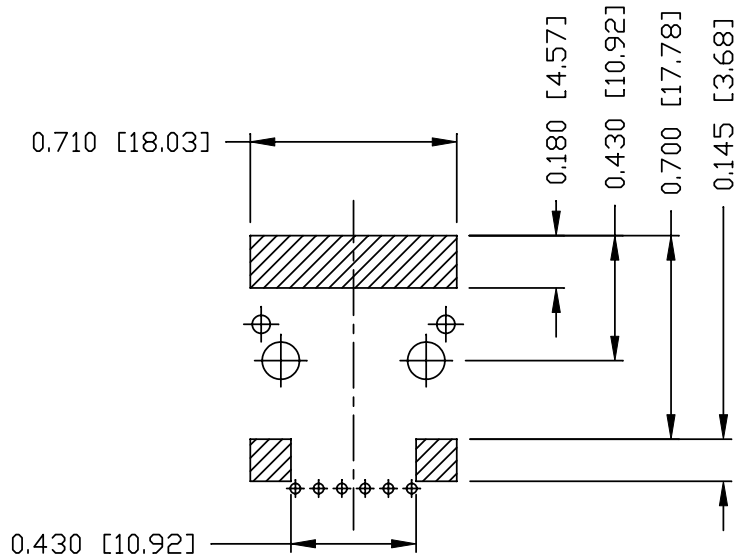
ORIGINATED BY ANTON LIAD	DATE 2012-07-09	TITLE 10/100 MagJack® (4 Cores, MDIX, CM Termination)	PART NO. / DRAWING NO. 08B11X1T06-F	STANDARD DIM. TOL. IN INCH		[ ] METRIC DIM. AS REFERENCE		
				.X		UNIT : INCH [mm]	REV. : C	
DRAWN BY HE ZHEN	DATE 2012-07-09	08B1-1X1T-06-F PATENTED	FILE NAME 08B11X1T06-F_C.DWG	.XX		SCALE : N/A	SIZE : A4	COMPONENTS FOR A CONNECTED PLANET
				.XXX	±0.010		PAGE : 3	

THE INFORMATION CONTAINED HEREIN IS CONSIDERED "PROPRIETARY" TO BEL FUSE INC. AND SHALL NOT BE COPIED, REPRODUCED OR DISCLOSED WITHOUT THE WRITTEN APPROVAL OF BEL FUSE INC.

RoHS



RECOMMENDED PCB FOOTPRINT  
COMPONENT SIDE VIEW



NOTES:

THE SHADED AREA ON THE CUSTOMER BOARD ARE RECOMMENDED TO BE CLEAR OFF ANY VIA HOLE OR COMPONENT PAD.

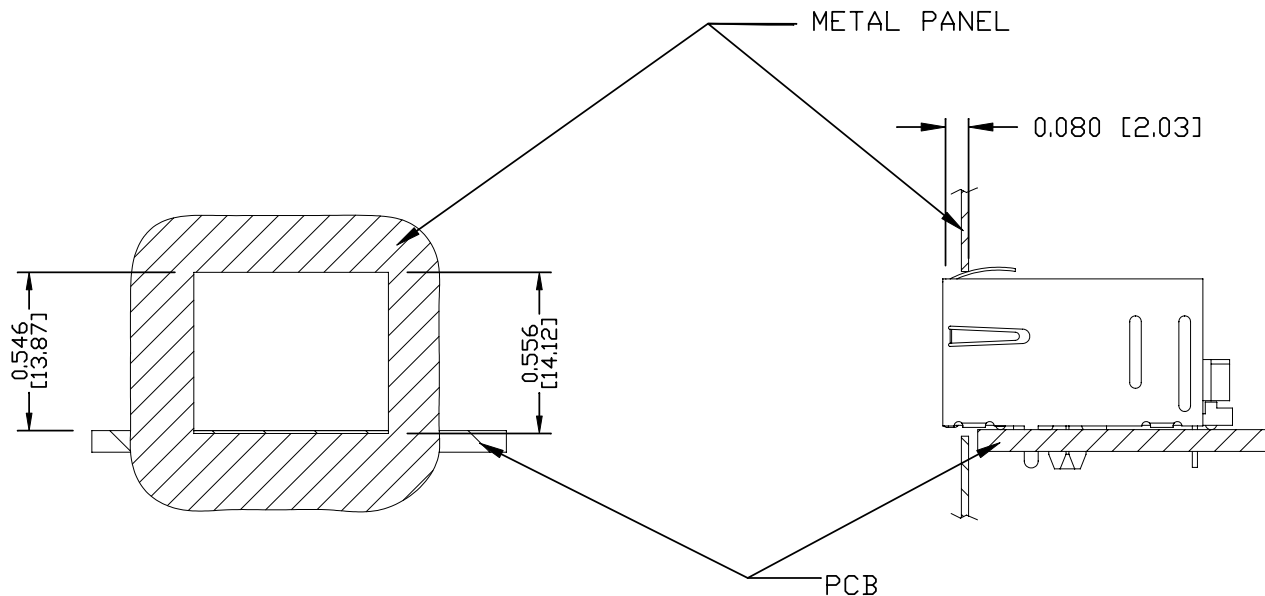
ORIGINATED BY	DATE	TITLE	PART NO. / DRAWING NO.	STANDARD DIM.		[ ] METRIC DIM. AS REFERENCE		bel
				TOL. IN INCH		UNIT : INCH [mm]	REV. : C	
ANTON LIAO	2012-07-09	10/100 MagJack® (4 Cores, MDIX, CM Termination)	08B11X1T06-F	.X		SCALE : N/A	SIZE : A4	COMPONENTS FOR A CONNECTED PLANET
DRAWN BY	DATE	08B1-1X1T-06-F PATENTED	FILE NAME	.XX			PAGE : 4	
HE ZHEN	2012-07-09		08B11X1T06-F_C.DWG	.XXX	±0.004			

THE INFORMATION CONTAINED HEREIN IS CONSIDERED "PROPRIETARY" TO BEL FUSE INC. AND SHALL NOT BE COPIED, REPRODUCED OR DISCLOSED WITHOUT THE WRITTEN APPROVAL OF BEL FUSE INC.

RoHS



### SUGGESTED PANEL OPENING



**NOTE:**

THE DISTANCE OF PANEL INSIDE SURFACE RELATIVE TO FRONT SURFACE OF PART IS ONLY A SUGGESTION. IN CASE THIS DISTANCE IS DIFFERENT, THE REQUIRED PANEL OPENING DIMENSIONS CHANGE ACCORDINGLY.

PACKING INFORMATION

PACKING TRAY : 0200-9999-D4(TOP)

0200-9999-D5(BOTTOM)

PACKING QUANTITY : 60 PCS FINISHED GOODS PER TRAY

11 TRAYS (660 PCS FINISHED GOODS) PER CARTON BOX

NOTE : CARDBOARDS ARE PLACED BETWEEN LAYERS OF PACKING TRAY INSIDE CARTON BOX (INCLUDE THE UPPERMOST AND LOWERMOST TRAY)

ORIGINATED BY ANTON LIAO	DATE 2012-07-09	TITLE 10/100 MagJack® (4 Cores, MDIX, CM Termination)	PART NO. / DRAWING NO. 08B11X1T06-F	STANDARD DIM. TOL. IN INCH		[ ] METRIC DIM. AS REFERENCE		bel COMPONENTS FOR A CONNECTED PLANET
	DRAWN BY HE ZHEN			DATE 2012-07-09	FILE NAME 08B11X1T06-F_C.DWG	.X .XX .XXX	#0.004	