

CM5022R151R-10

UNCONTROLLED DOCUMENT

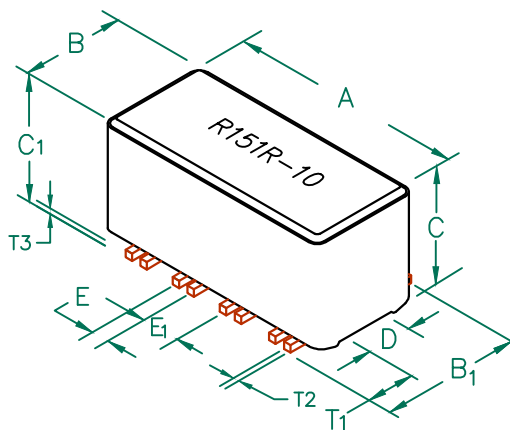


PHYSICAL DIMENSIONS:

A	12.57 [.495]	+ 0.20 [.008]
B	5.72 [.225]	+ 0.10 [.004]
B ₁	6.73 [.265]	MAX
C	7.62 [.300]	+ 0.13 [.005]
C ₁	8.40 [.330]	MAX.
D	2.41 [.095]	+ 0.08 [.003]
E	0.89 [.035]	+ 0.13 [.005]
E ₁	1.91 [.075]	+ 0.13 [.005]

WIRE:

T ₁	1.91 [.075]	+ 0.25 [.010]
T ₂	0.38 [.015]	TYP.
T ₃	0.38 [.015]	TYP.

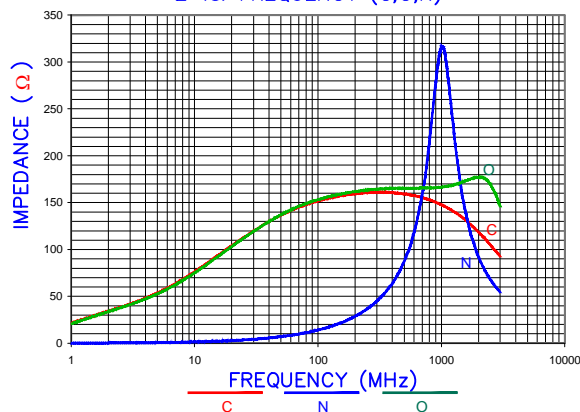


ELECTRICAL CHARACTERISTICS:		
Z @ 100MHz (Ω)	DCR (Ω)	Rated Current
Nominal	150	
Minimum	120	
Maximum	-	5,000 mA

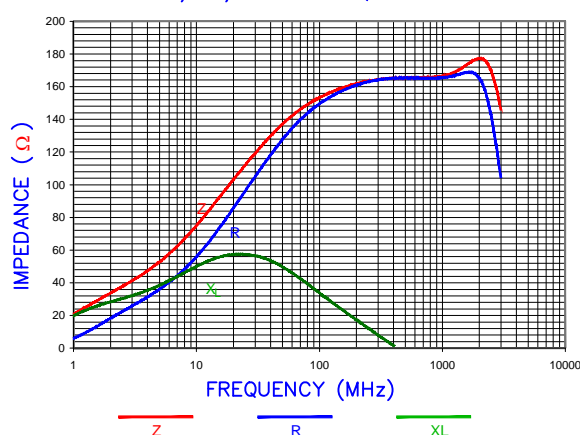
NOTES: UNLESS OTHERWISE SPECIFIED

1. TAPED AND REELED per CURRENT EIA SPECIFICATIONS 13" REELS, 600 PCS PER REEL.
2. COMPONENTS SHOULD BE ADEQUATELY PREHEATED BEFORE SOLDERING.
3. REF. CARRIER TAPE SPECIFICATION # CART5022-1P.
4. TERMINATION FINISH IS 100% TIN.
5. OPERATION TEMPERATURE (INCLUDING SELF-HEATING): -40 ~ +125°C.

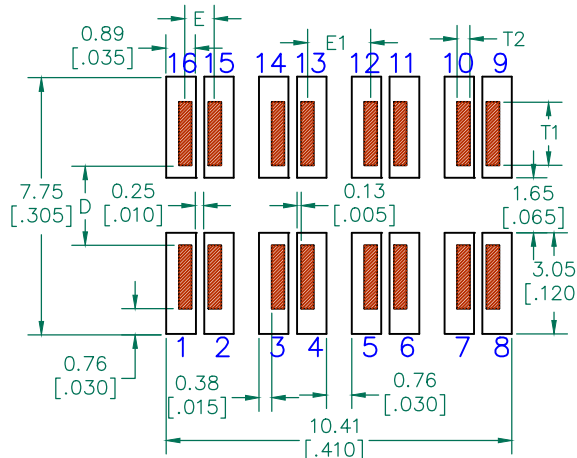
Z vs. FREQUENCY (C,O,N)



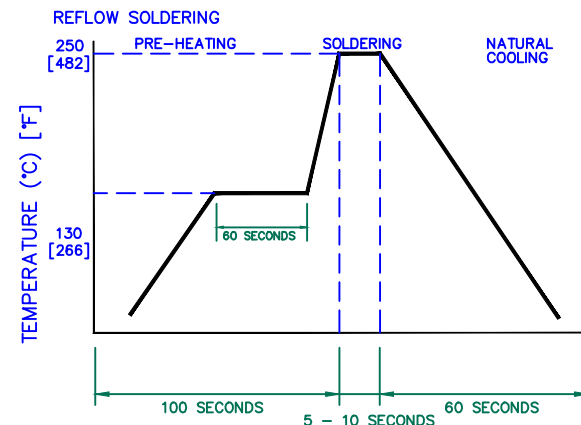
Z, R, XL vs. FREQUENCY



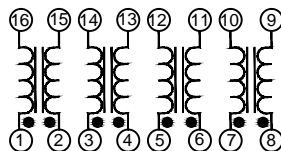
LAND PATTERNS FOR REFLOW SOLDERING



RECOMMENDED SOLDERING CONDITIONS



EQUIVALENT CIRCUIT NO POLARITY



DIMENSIONS ARE IN mm (INCHES).

This print is the property of Laird Tech. and is loaned in confidence subject to return upon request and with the understanding that no copies shall be made without the written consent of Laird Tech. All rights to design or invention are reserved.				
REV	DESCRIPTION	DATE		
D	ADD NOTE 5	08/30/12	QIU	PROJECT/PART NUMBER: CM5022R151R-10
C	UPDATE COMPANY LOGO ADD EQUIVALENT CIRCUIT	02/03/09	JRK	
B	UPDATE COMPANY LOGO, ADD ROHS	12/12/07	JRK	
A	ORIGINAL DRAFT	04/27/04	JRK	
REV	DESCRIPTION	DATE	INT	DATE: 04/27/04 SCALE: NTS SHEET: 1 of 2