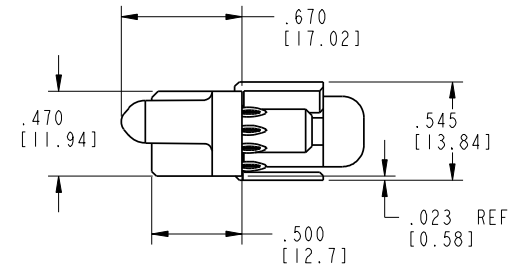
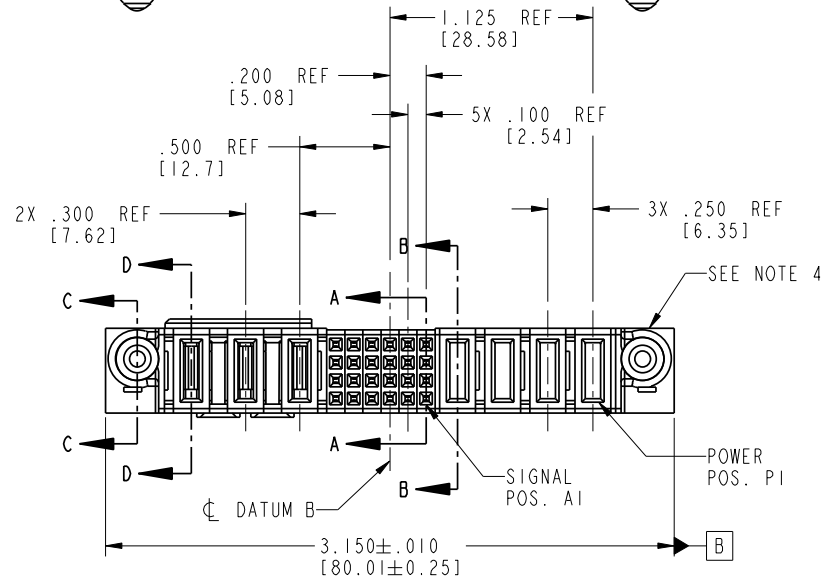
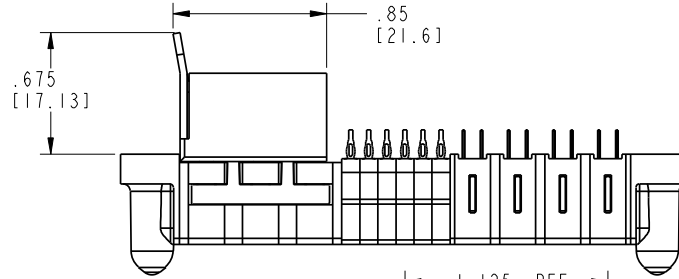


Tous droits strictement réservés. Reproduction ou communication à des tiers interdite sans que la forme que ce soit sans autorisation écrite du propriétaire. Propriété de c FCI. Droits de reproduction FCI.



All rights strictly reserved. Reproduction or issue to third parties in any form without written authority from the proprietor. Property of FCI. Copyright FCI.

PRODUCT NO.	ROWS	POWER			SIGNAL				POWER				E1		
		E2	P7	P6	P5	6	5	4	3	2	1	P4		P3	P2
51897-017-- NOTE:3	0 A		PH	PH	PG	F	F	F	F	F	F	PF	PF	PF	PF



CODE	DIM "M" MATING LENGTH	CONTACT TYPE
PH	.092 [2.34]	POWER
PF	.092 [2.34]	POWER
F	N/A [N/A]	SIGNAL
PG	.042 [1.07]	POWER

mat'l code				SEE NOTE 2		tolerances unless otherwise specified		CUSTOMER	
lir	ecn no.	dr	date	linear	.XX±.01/0.X±0.3	COPY		FCI www.fciconnect.com	
A	DG07-0240	RYUAN	06/01/07	angles	.XXX±.005/0.XX±0.13	projection		title	
				dr	.XXX±.002/0.XXX±0.051	INCH/MM		4P + 24S + 3ACP VERTICAL PF RECEPT CABLE PORT	
				enrg		scale		product family	
				chr		1:1		PwrBlade	
				appd				code	
								213	
sheet index	revision	A	A	A	A			sheet	
	sheet	1	2	3	4			1 of 4	



www.fciconnect.com

title
4P + 24S + 3ACP
VERTICAL PF RECEPT CABLE PORT

product family PwrBlade code

size dwg no 213

A 51897-017 sheet

1 of 4

cage code 22526

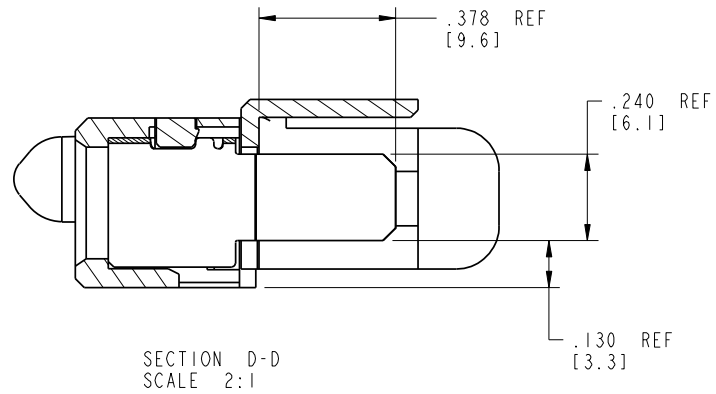
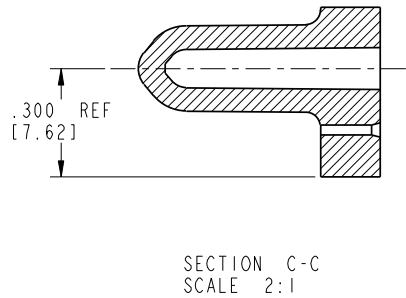
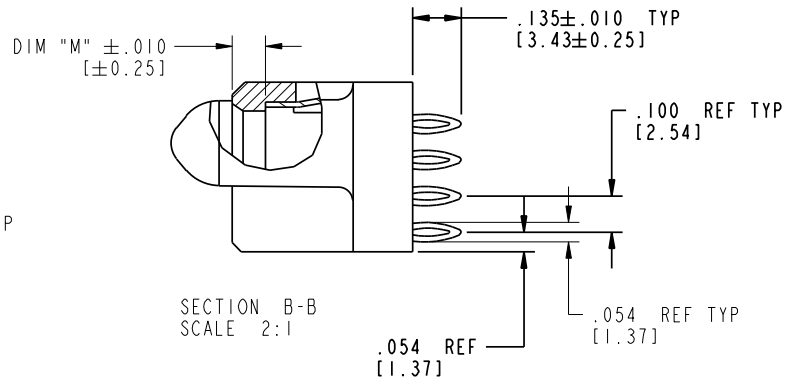
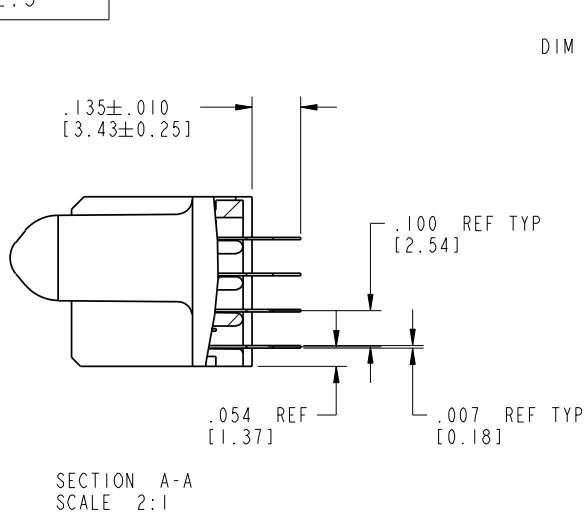
Pro/E

Tous droits strictement reserves. Reproduction ou communication a des tiers interdite sous quelque forme que ce soit sans autorisation écrite du propriétaire. Propriete de c FCI. Droits de reproduction FCI.



All rights strictly reserved. Reproduction or issue to third parties in any form whatever is not permitted without written authority from the proprietor. Property of FCI. Copyright FCI.

PRODUCT NUMBER
51897-017--
NOTE:3



mat'l code				SEE NOTE 2	tolerances unless otherwise specified		CUSTOMER		FCI		www.fciconnect.com	
lir	ecn no.	dr	date	linear	.XX±.01/0.X±0.3	projection	COPY		title			
A				angles	.XXX±.005/0.XX±0.13	INCH/MM		4P + 24S + 3ACP				
				dr	.XXX±.002/0.XXX±0.051	scale		VERTICAL PF RECEPT CABLE PORT				
				enr	0°±2°	1:1		product family		PwrBlade	code	
				chr	RYAN YUAN 05/28/07			size		dwg no	213	
				appd	GARY HSIEH 05/28/07			A		51897-017	sheet	
					JOSEPH HSIA 05/28/07						2 of 4	
sheet index	revision sheet											

cage code 22526

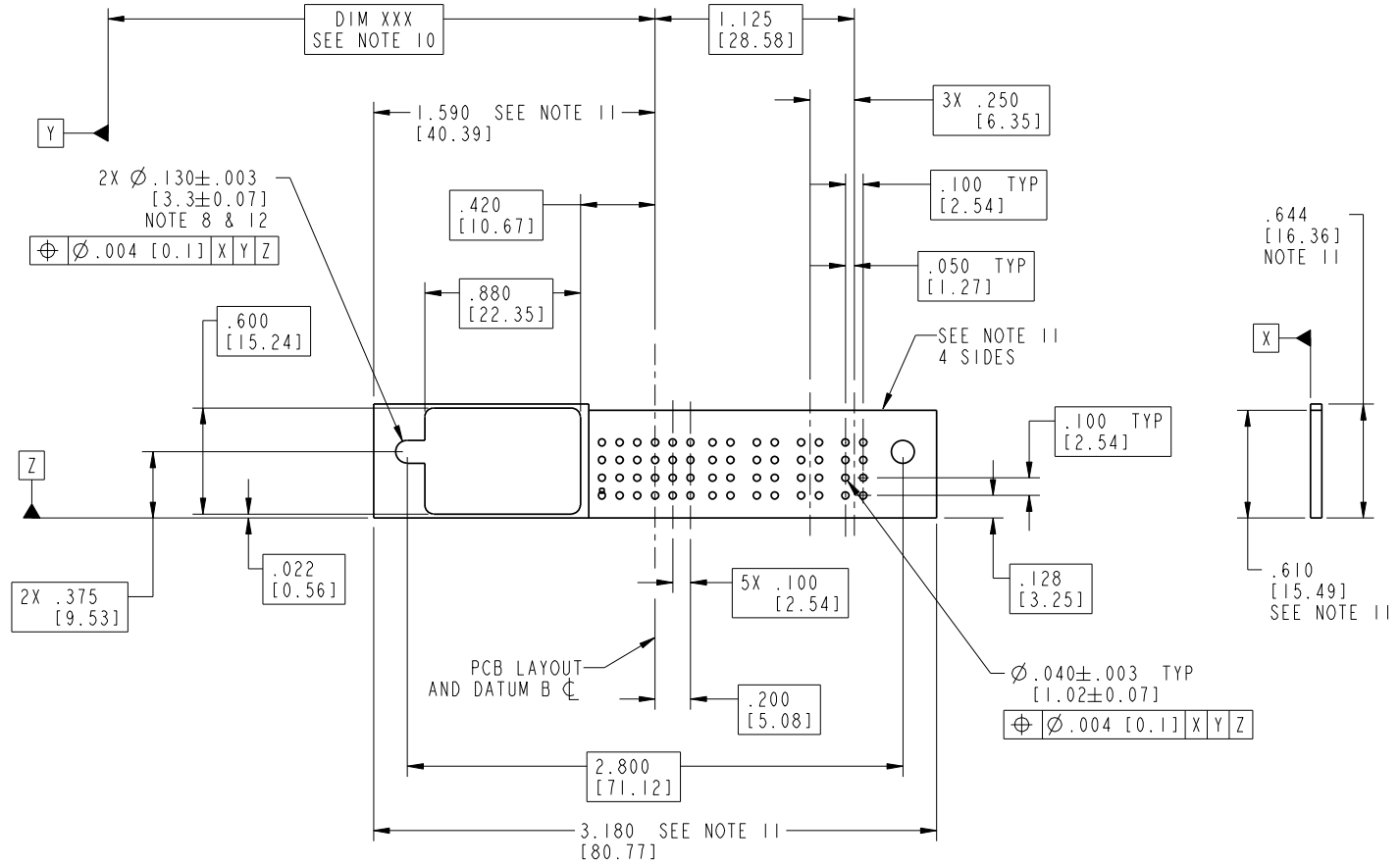
Pro/E

Tous droits strictement reserves. Reproduction ou communication a des tiers interdite sous quelque forme que ce soit sans autorisation écrite du propriétaire. Propriete de c FCI. Droits de reproduction FCI.



All rights strictly reserved. Reproduction or issue to third parties in any form without is not permitted without written authority from the proprietor. Property of FCI. Copyright FCI.

PRODUCT NUMBER
51897-017--
NOTE:3



mat'l code				SEE NOTE 2	tolerances unless otherwise specified		CUSTOMER	FCI	
lir	ecr no.	dr	date	linear	.XX±.01/0.X±0.3	COPY	www.fciconnect.com		
A				angles	.XXX±.005/0.XX±0.13	projection	title		
				dr	.XXX±.002/0.XXX±0.051	INCH/MM	4P + 24S + 3ACP		
				enrg	0° ± 2°	scale	VERTICAL PF RECEPT CABLE PORT		
				chr	RYAN YUAN 05/28/07	1:1	product family	PwrBlade	code
				appd	RYAN YUAN 05/28/07		size	dwg no	213
					GARY HSIEH 05/28/07		A	51897-017	sheet
					JOSEPH HSIA 05/28/07				3 of 4
sheet index	revision	sheet							

code code 22526

Tous droits strictement reserves. Reproduction ou communication a des tiers interdite sous quelque forme que ce soit sans autorisation écrite du propriétaire. Propriete de c FCI. Droits de reproduction FCI.



All rights strictly reserved. Reproduction or issue to third parties in any form without is not permitted without written authority from the proprietor. Property of FCI. Copyright FCI.

PRODUCT NUMBER
51897-017--
NOTE:3

NOTES:

1. DIMENSIONS AND TOLERANCES ARE IN ACCORDANCE WITH ASME Y14.5M, 1994 UNLESS OTHERWISE SPECIFIED.

CONNECTOR NOTES:

2 HOUSING MATERIAL: UL 94 V-0 GLASS FILLED HIGH-TEMP THERMOPLASTIC
POWER CONTACT MATERIAL: COPPER ALLOY
SIGNAL PIN MATERIAL: COPPER ALLOY

3. PLATING:
SEE PRINT 10064183 FOR PLATING SPEC OF 51897-017; 51897-017LF

4 MANUFACTURER'S NAME, P/N, AND DATE CODE TO APPEAR ON THIS SURFACE.

5. PRODUCT SPECIFICATION GS-12-149.
APPLICATION SPECIFICATION BUS-20-067.

6. PACKAGED IN TRAYS.

PCB NOTES:

7. ALL HOLE DIAMETERS ARE FINISHED HOLE SIZE.

8 MOUNTING HOLES, WHERE APPLICABLE, ARE UNPLATED.

9 $\varnothing .0453 \pm .0010$ [1.151 \pm 0.025] DRILLED HOLES PLATED WITH
.0003 [0.008] MIN SnPb OR Sn OVER .001 [0.03] TO .003 [0.08] Cu PLATING TO ACHIEVE $\varnothing .040 \pm .003$ [1.02 \pm .07] HOLE.

10 "DIM XXX" TO BE DETERMINED BY THE CUSTOMER.

11 CONNECTOR KEEP-OUT ZONE.

12 RECOMMENDED RETENTION TO PCB
 $\varnothing .130$ [3.30] THRU HOLE FOR #5 SOCKET HEAD CAP SCREW MAX. HEAD .205[5.21]
RECOMMENDED SCREW LENGTH .472 [11.99] + PCB THICKNESS.
RECOMMENDED SCREW SEATING TO PCB TORQUE: 2-5 lbf-in (2300-5760 gf-cm).

mat'l code				SEE NOTE 2		tolerances unless otherwise specified		CUSTOMER		FCI		www.fciconnect.com	
lir	ecr no.	dr	date	linear	.XX±.01/0.X±0.3		projection	COPY		title 4P + 24S + 3ACP VERTICAL PF RECEPT CABLE PORT		code	
A					.XXX±.005/0.XX±0.13			INCH/MM				product family	
				angles	.XXX±.002/0.XXX±0.051		scale	A		size		sheet	
				dr	0°±2°			1:1		51897-017		4 of 4	
				engr	RYAN YUAN	05/28/07							
				chr	GARY HSIEH	05/28/07							
				appd	JOSEPH HSIA	05/28/07							
sheet index		revision sheet											

cage code 22526

Pro/E