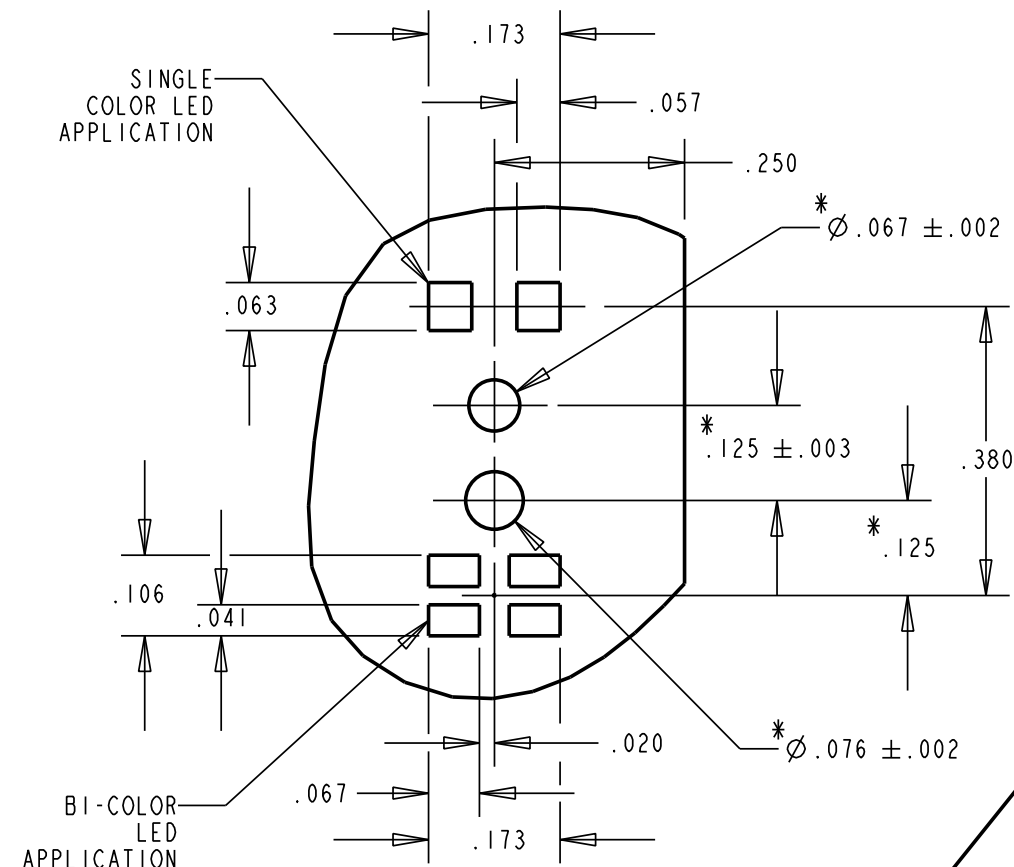
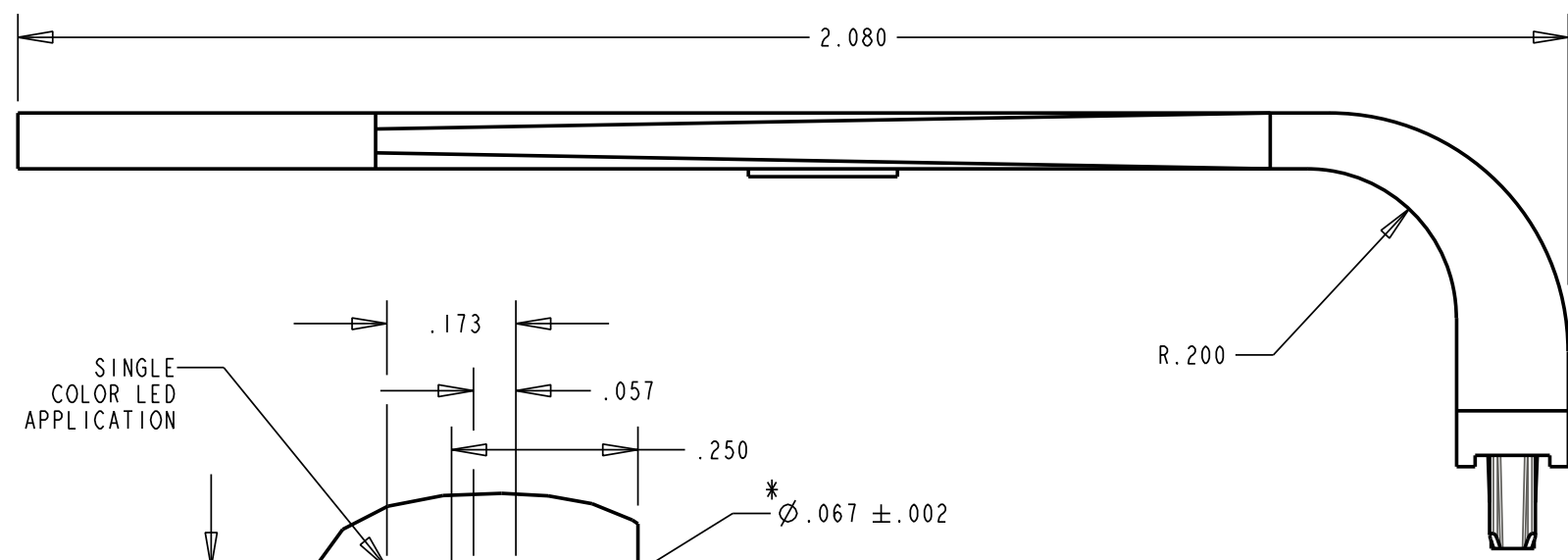
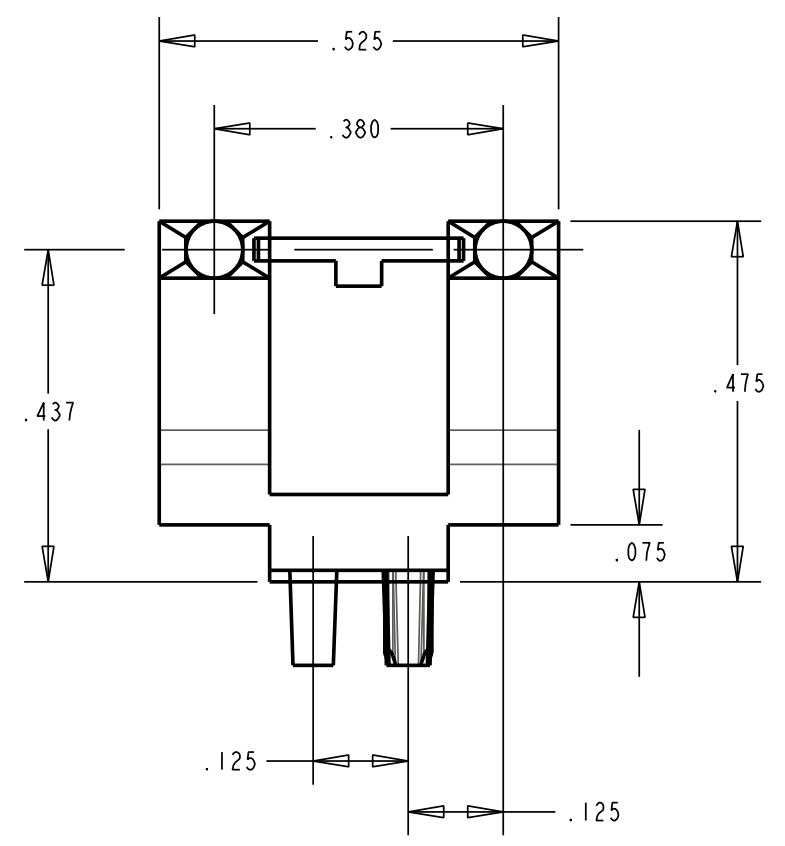
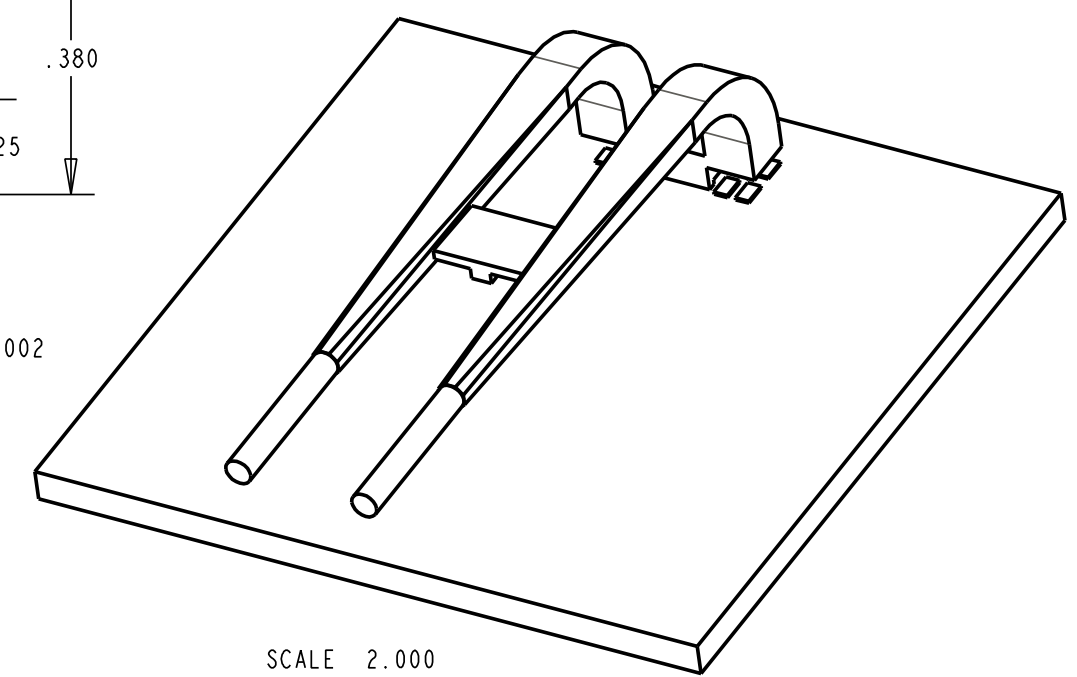


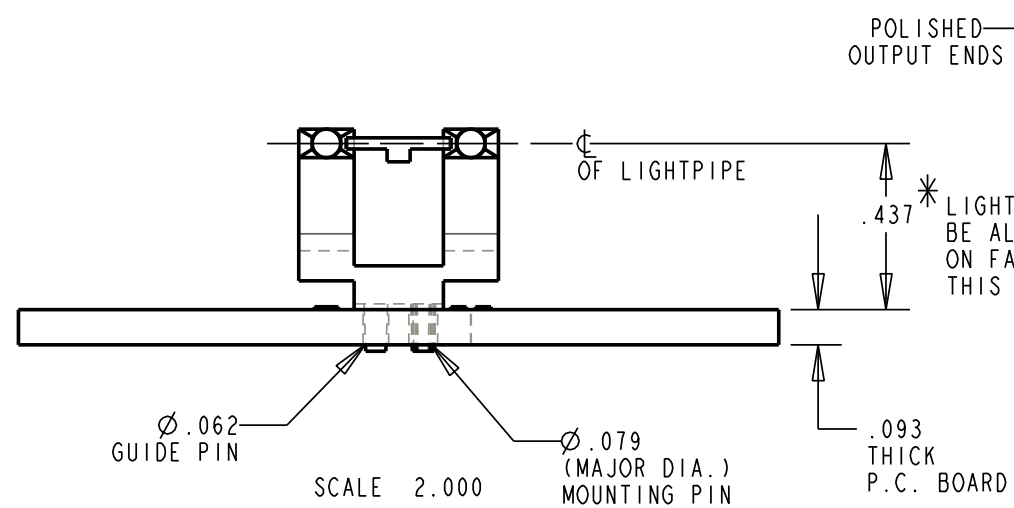
REV.	ECN NO.	REVISIONS	DRN.	CKD.	APP.	DATE
A		NEW RELEASE	ADM			



VIEW A-A
RECOMMENDED SOLDER
PAD LAYOUT
SCALE: 4:1



SCALE 2.000



POLISHED
OUTPUT ENDS

* LIGHTPIPE WILL NOT
BE ALIGNED WITH CIRCLES
ON FACEPLATE USING
THIS DIMENSION

* DENOTES CRITICAL DIMENSION OR SPECIFICATION

- NOTES:
1. MATERIAL: COMPONENT TO BE MOLDED IN A CLEAR TRANSMISSIVE POLYCARBONATE.
 2. COMPONENT DESIGNED TO BE PRESSED INTO A P.C. BOARD.
 3. LIGHTSOURCE: RED/GREEN BI-COLOR SMT LED; DIALIGHT P/N 597-7701-507.
 4. LIGHTPIPE COMPONENT IS DIALIGHT P/N 515-1132.

THIS DRAWING AND THE CONTENTS HEREIN ARE CONFIDENTIAL AND THE SOLE PROPERTY OF DIALIGHT. REPRODUCTION OF THIS DRAWING OR CONSTRUCTION OF ANY PARTS WITHIN THIS DRAWING ARE FORBIDDEN WITHOUT THE WRITTEN CONSENT OF DIALIGHT.		
SCALE: 4:0 ALL DIM'S IN: INCHES (MM)	DRAWING NUMBER C-16951	REV A
TOLERANCES: UNLESS OTHERWISE SPECIFIED FRACTIONS: ±1/64 DECIMALS (.XX): ±.01 DECIMALS (.XXX): ±.005 DECIMALS (.XXXX): ±.0005 ANGLES: ±1°	TITLE 2 ELEMENT LIGHTPIPE	
FINISH:	MATERIAL	
FSCM 83330	Dialight	1501 ROUTE 34 SOUTH FARMINGDALE, NJ 07727
	SHEET OF	FAMILY TABLE: