

Grayhill, Inc.

## 62S11-N4-025CH

Numero ng Bahagi:

62S11-N4-025CH

Tagagawa / Brand:

Grayhill, Inc.

Paglalarawan ng produkto

ROTARY ENCODER OPTICAL 32PPR

Mga Datasheet:

62S11-N4-025CH.pdf

Katayuan ng RoHS

Lead free / RoHS Compliant

Stock Kondisyon

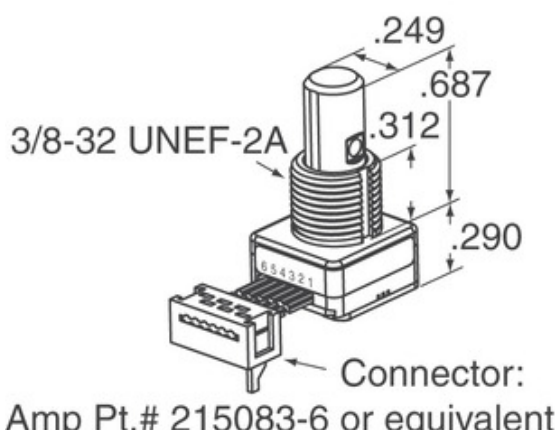
1946 pcs stock

Ipadala Mula

Hong Kong

Pagpapadala ng Way

DHL/Fedex/TNT/UPS/EMS


**HUMILING NG PANIPI**

Ang imahe ay maaaring representasyon. Tingnan ang mga pagtutukoy para sa mga detalye ng produkto.

### Mga pagtutukoy ng 62S11-N4-025CH

NUMERO NG BAHAGI	62S11-N4-025CH
MANUFACTURER	Grayhill, Inc.
PAGLALARAWAN	ROTARY ENCODER OPTICAL 32PPR
LEAD FREE STATUS / KATAYUAN NG ROHS	Lead free / RoHS Compliant
AVAILABLE ANG DAMI	1946 pcs
DATA SHEET	62S11-N4-025CH.pdf
BOLTAHE - SUPPLY	5V
PAGWAWAKAS STYLE	Cable with Connector
SERYE	62S
PALITIN LIFE (CYCLES MIN)	1M
PULSES PER REVOLUTION	32
TYPE OUTPUT	Quadrature (Incremental)
IBANG PANGALAN	62S11N4025CH
ORYENTASYON	Vertical
SALALAYAN TYPE	Panel Mount
ANG SENSITIVITY LEVEL (MSL)	1 (Unlimited)
LEAD LIBRENG STATUS / KATAYUAN NG ROHS	Lead free / RoHS Compliant
TYPE ENCODER	Optical
DITENT	No
ITINAYO NOONG LUMIPAT	Yes
TYPE ACTUATOR	1/4" Dia Flatted End

### Kaugnay na Mga Tag

Grayhill, Inc. 62S11-N4-025CH	62S11-N4-025CH Distributor	62S11-N4-025CH Supplier
62S11-N4-025CH Presyo	62S11-N4-025CH Pictures	62S11-N4-025CH Image
62S11-N4-025CH PDF Datasheet	62S11-N4-025CH I-download ang Datasheet	62S11-N4-025CH Datasheet
62S11-N4-025CH Stock	Bumili ng 62S11-N4-025CH	Bumili Grayhill, Inc. 62S11-N4-025CH
Grayhill, Inc. 62S11-N4-025CH	Grayhill, Inc. Supplier	Grayhill, Inc. Distributor
Grayhill, Inc. 62S11-N4-025CH	Grayhill Inc. 62S11-N4-025CH	

### Kaugnay na Mga Produkto

<p><b>62S11-N4-025C</b> Mga Tagagawa: Grayhill, Inc. Paglalarawan: ROTARY ENCODER OPTICAL 32PPR Sa stock: 1970 pcs</p> <p><b>RFQ</b></p>	<p><b>62S11-N4-120S</b> Mga Tagagawa: Grayhill, Inc. Paglalarawan: ROTARY ENCODER OPTICAL 32PPR Sa stock: 2038 pcs</p> <p><b>RFQ</b></p>
<p><b>62S11-N3-PH</b> Mga Tagagawa: Grayhill, Inc. Paglalarawan: ROTARY ENCODER OPTICAL 32PPR Sa stock: 1856 pcs</p> <p><b>RFQ</b></p>	<p><b>62S11-N2-P</b> Mga Tagagawa: Grayhill, Inc. Paglalarawan: ROTARY ENCODER OPTICAL 32PPR Sa stock: 2376 pcs</p> <p><b>RFQ</b></p>
<p><b>62S11-N4-PH</b> Mga Tagagawa: Grayhill, Inc. Paglalarawan: ROTARY ENCODER OPTICAL 32PPR Sa stock: 1970 pcs</p> <p><b>RFQ</b></p>	<p><b>62S11-N4-020C</b> Mga Tagagawa: Grayhill, Inc. Paglalarawan: ROTARY ENCODER OPTICAL 32PPR Sa stock: 2083 pcs</p> <p><b>RFQ</b></p>
<p><b>62S11-N2-040C</b> Mga Tagagawa: Grayhill, Inc. Paglalarawan: ROTARY ENCODER OPTICAL 32PPR Sa stock: 2333 pcs</p> <p><b>RFQ</b></p>	<p><b>62S11-N2-PH</b> Mga Tagagawa: Grayhill, Inc. Paglalarawan: ROTARY ENCODER OPTICAL 32PPR Sa stock: 1760 pcs</p> <p><b>RFQ</b></p>
<p><b>62S11-N4-060SH</b> Mga Tagagawa: Grayhill, Inc. Paglalarawan: ROTARY ENCODER OPTICAL 32PPR Sa stock: 2262 pcs</p> <p><b>RFQ</b></p>	<p><b>62S11-N5-025C</b> Mga Tagagawa: Grayhill, Inc. Paglalarawan: ROTARY ENCODER OPTICAL 32PPR Sa stock: 2408 pcs</p> <p><b>RFQ</b></p>
<p><b>62S11-N5-025CH</b> Mga Tagagawa: Grayhill, Inc. Paglalarawan: ROTARY ENCODER OPTICAL 32PPR Sa stock: 2083 pcs</p> <p><b>RFQ</b></p>	<p><b>62S11-N4-P</b> Mga Tagagawa: Grayhill, Inc. Paglalarawan: ROTARY ENCODER OPTICAL 32PPR Sa stock: 1912 pcs</p> <p><b>RFQ</b></p>

Copyright © 2020 maasahang distributor ng electronic components.

E-mail: [Info@infinity-electronic.com](mailto:Info@infinity-electronic.com)

Address: 17F, Gaylord Commercial Building, 114-118 Lockhart Road, Wan Chai, Hong Kong

