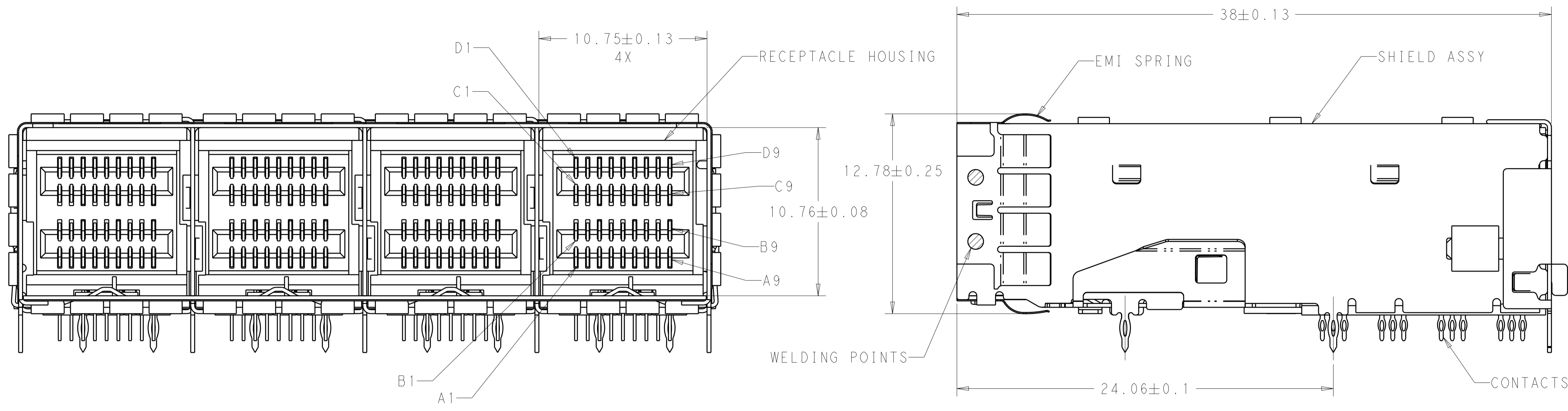
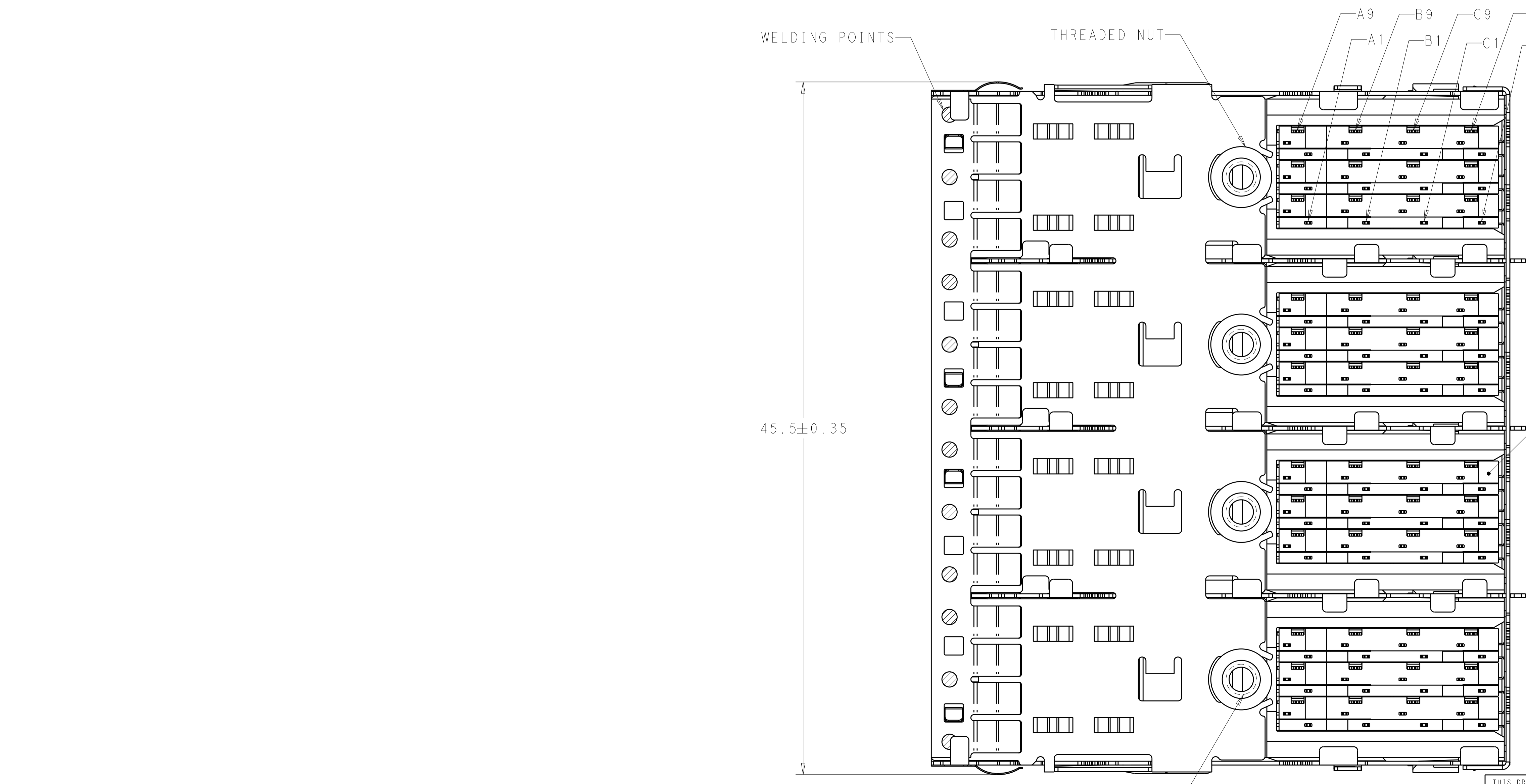


LOC	DIST	REVISIONS			
P	LTN	DESCRIPTION	DATE	DWN	APVD
A		REVISED PER ECO-14-018497	17DEC2014	AP	DG
B		REVISED PER ECO-15-013876	19JUN2016	JY	SH



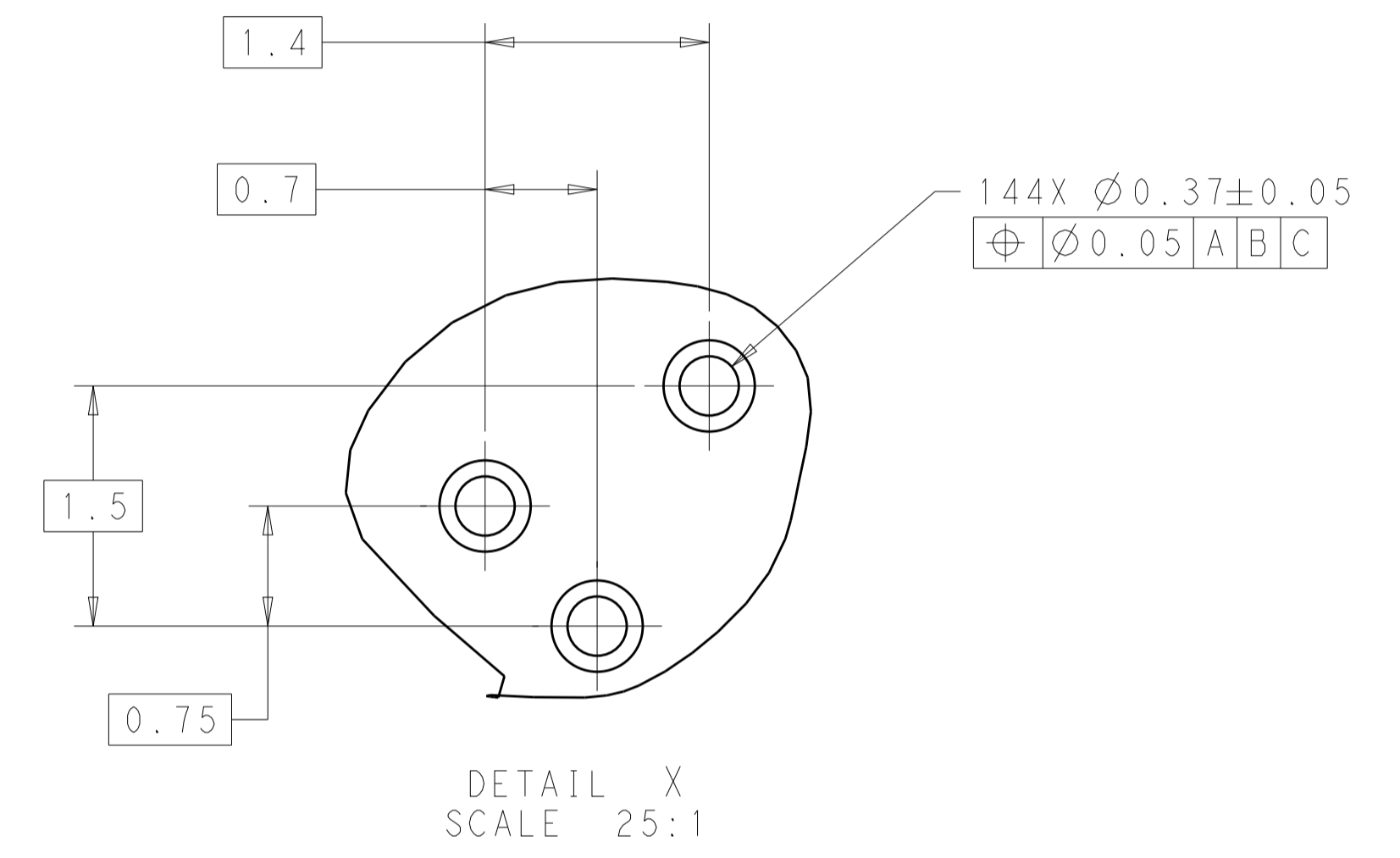
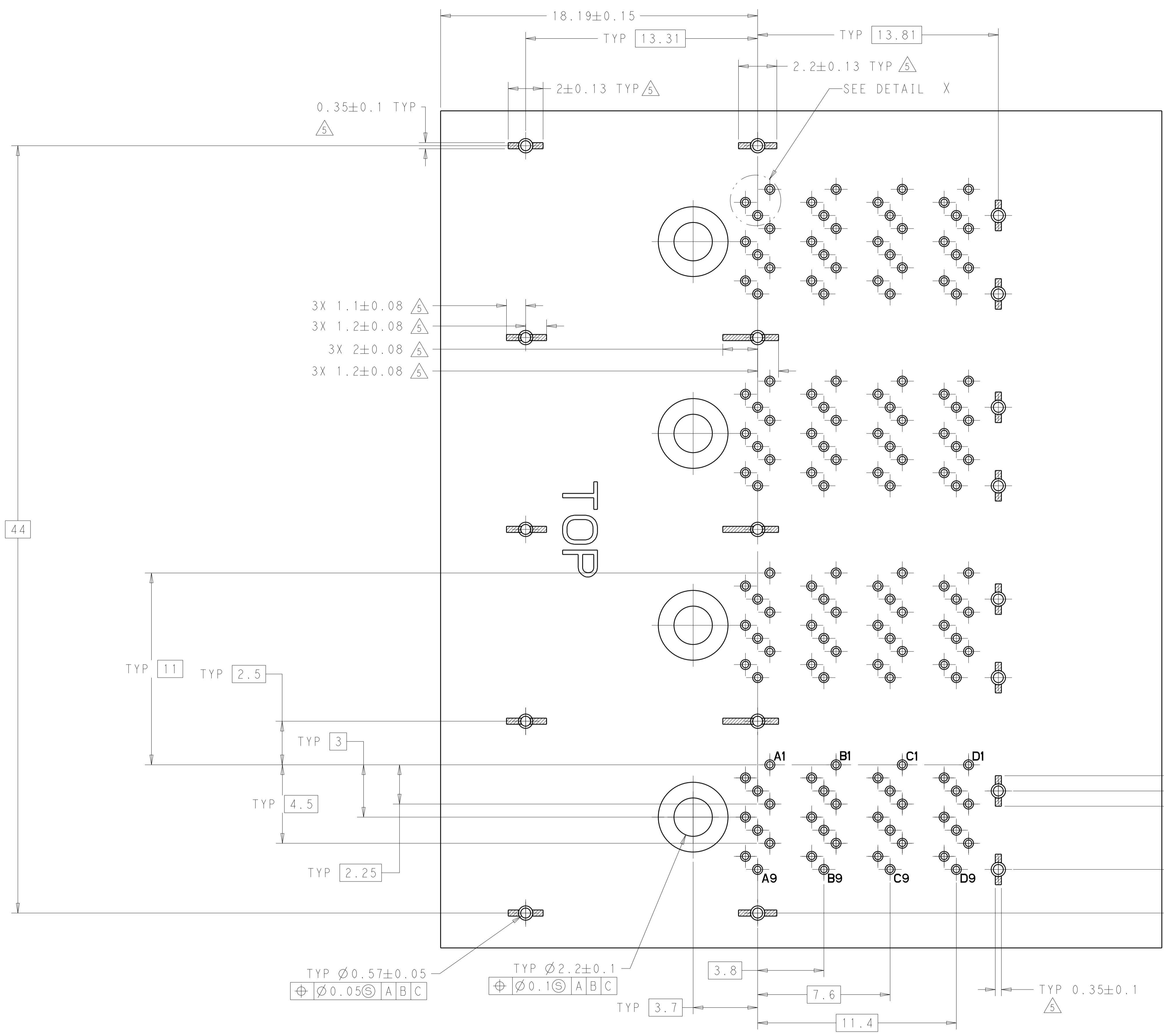
- 1. MATERIALS**  
 RECEPTACLE HOUSING, LCP, BLACK, UL94V-0 RATED  
 SHIELD ASSY: NICKEL SILVER COPPER ALLOY  
 CONTACTS: COPPER ALLOY  
 EMI SPRING: COPPER ALLOY  
 THREADED NUT: BRASS  
 CHICKLETS: LCP, BLACK, UL 94V-0 RATED
- 2. FINISH**  
 EMI SPRING: TIN PLATE OVER NICKEL PLATE  
 NON-PLATED EDGES PERMISSABLE  
 THREADED NUT: NICKEL PLATE
- 3. CONTACT FINISH:** CONFORMS TO THE REQUIREMENTS OF TE PRODUCT SPECIFICATION, 108-2462. BASED ON EIA/ECA-364-1000.01A. (CONTROLLED ENVIRONMENT APPLICATIONS) ON MATING END. TIN PLATED ON PCB TAIL
- 4. THREAD LENGTH OF FASTENER = PCB THICKNESS+1.45 MAX**
- 5. RECOMMENDED TRACE KEEP OUT ZONE**



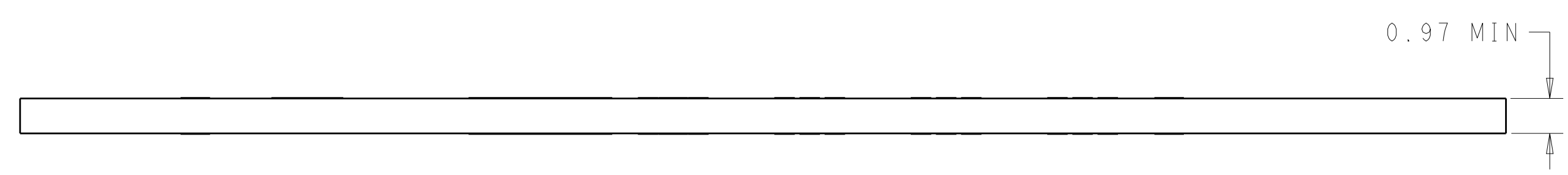
2214870-1  
PART NUMBER

THIS DRAWING IS A CONTROLLED DOCUMENT.		DWN: J. SECHRIST 26MAR2012		
DIMENSIONS: mm		CHK: J. SECHRIST 26MAR2012		
TOLERANCES UNLESS OTHERWISE SPECIFIED:		APVD: -	NAME: RECEPTACLE ASSEMBLY, MINI-SAS HD, 4X	
0 PLC ±		PRODUCT SPEC: 108-2462	SIZE: A1	
1 PLC ±		APPLICATION SPEC: 114-13316	CAGE CODE: 00779	
2 PLC ±		WEIGHT: -	DRAWING NO: 2214870	
3 PLC ±		CUSTOMER DRAWING	SCALE: 6:1	
4 PLC ±			SHEET 1 OF 3	
ANGLES ±			REV B	
FINISH				

LOC		DIST		REVISIONS			
P	LTN	DESCRIPTION	DATE	DWN	APVD		
-	-	SEE SHEET 1	-	-	-	-	-



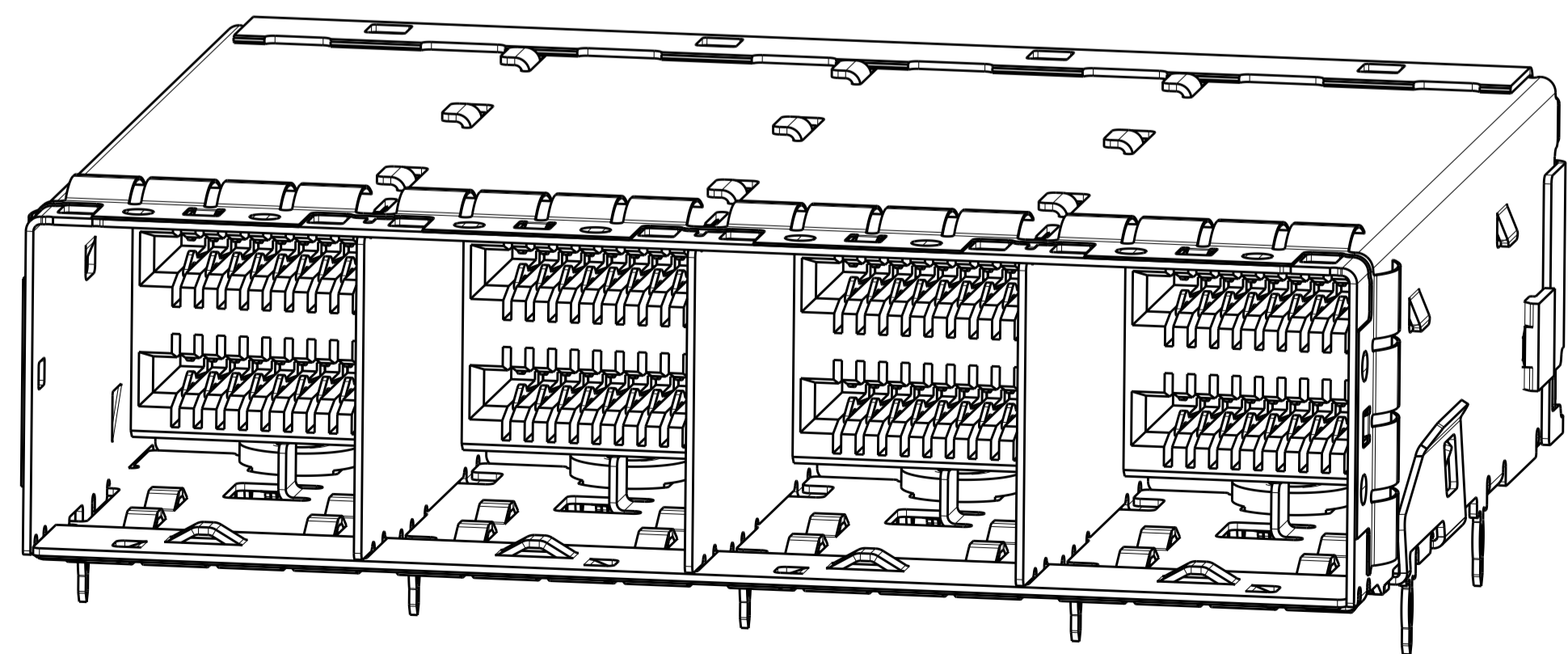
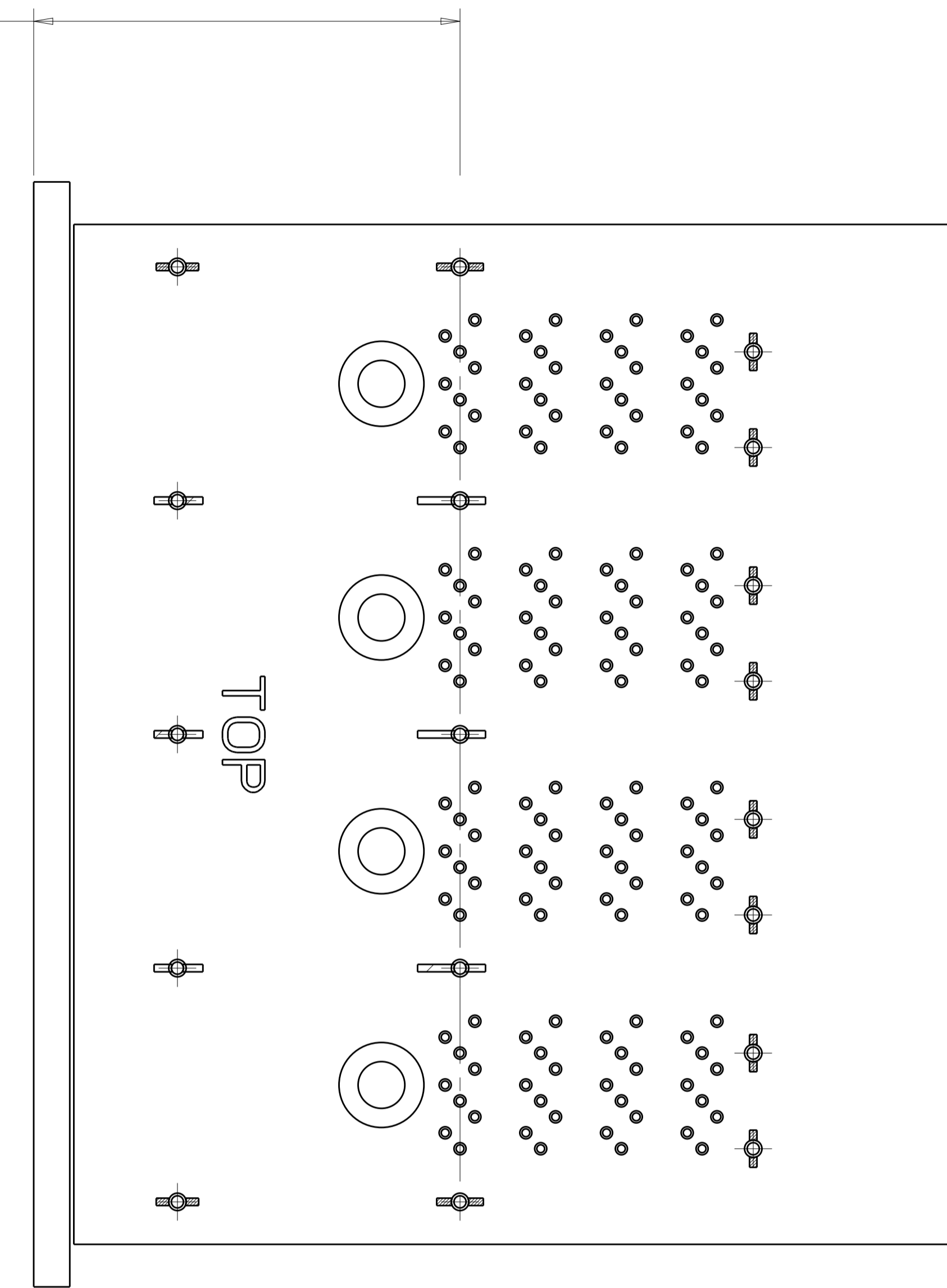
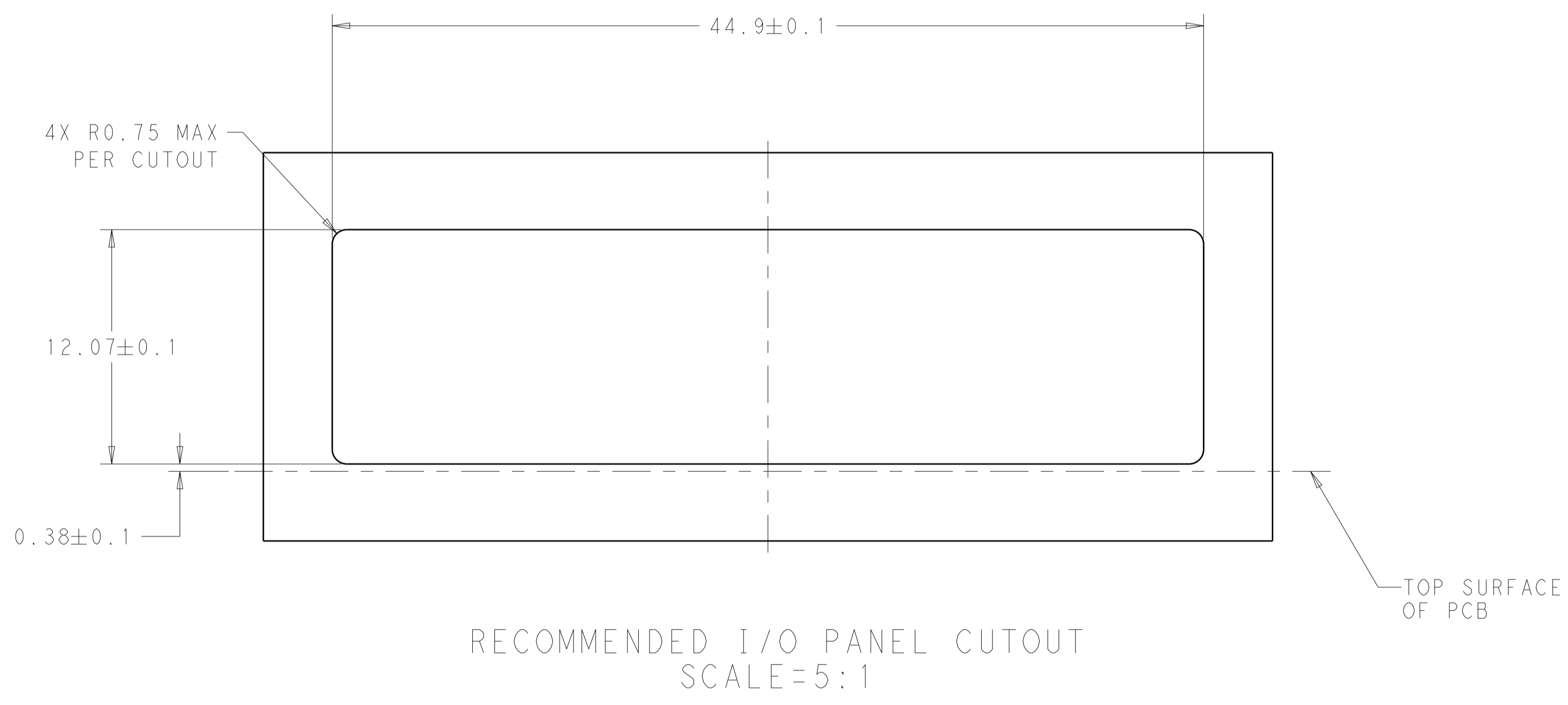
RECOMMENDED PCB LAYOUT



THIS DRAWING IS A CONTROLLED DOCUMENT.		DWN J. SECHRIST 26MAR2012	TE Connectivity
DIMENSIONS: mm		CHK J. SECHRIST 26MAR2012	
TOLERANCES UNLESS OTHERWISE SPECIFIED:		APVD -	NAME
0 PLC ±	1 PLC ±	PRODUCT SPEC	RECEPTACLE ASSEMBLY, MINI-SAS HD, 4X
2 PLC ±	3 PLC ±	APPLICATION SPEC	
4 PLC ±	ANGLES ±	114-13316	SIZE CAGE CODE DRAWING NO
MATERIAL	FINISH	WEIGHT	A100779C=2214870
CUSTOMER DRAWING			RESTRICTED TO
SCALE 6:1			SHEET 2 OF 3
			REV B

LOC		DIST		REVISIONS			
P	LYR	DESCRIPTION	DATE	DWN	APVD		
-	-	SEE SHEET 1	-	-	-		

19 PCI APPLICATION  
 20.08 ALL OTHER APPLICATIONS



THIS DRAWING IS A CONTROLLED DOCUMENT.		DWN: J. SECHRIST 26MAR2012	
		CHK: J. SECHRIST 26MAR2012	
DIMENSIONS:		NAME	
mm	0 PLC ±	RECEPTACLE ASSEMBLY, MINI-SAS HD, 4X	
	2 PLC ±	SIZE CAGE CODE DRAWING NO RESTRICTED TO	
	3 PLC ±	A100779C=2214870	
	4 PLC ±	SCALE 5:1 SHEET 3 OF 3 REV B	
	ANGLES ±		
MATERIAL	FINISH	CUSTOMER DRAWING	